

1 2 3 4 5 6 7 8

F

F

D

C

B

A

F

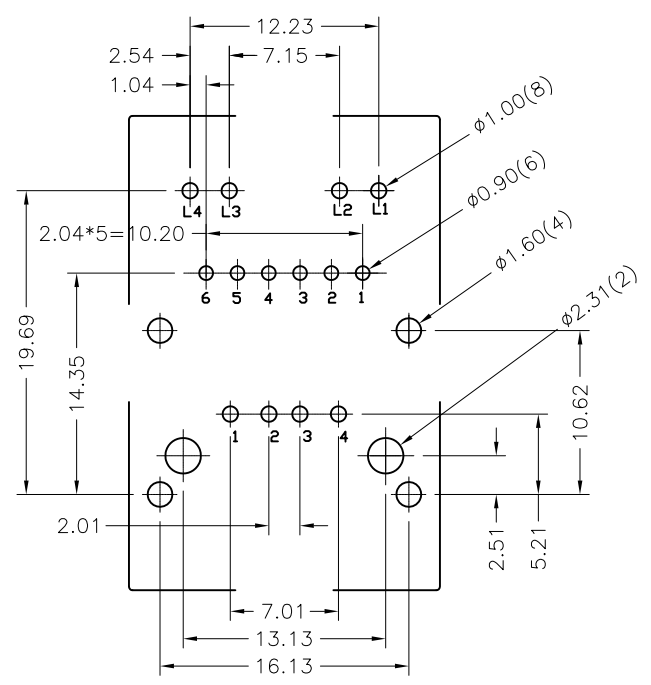
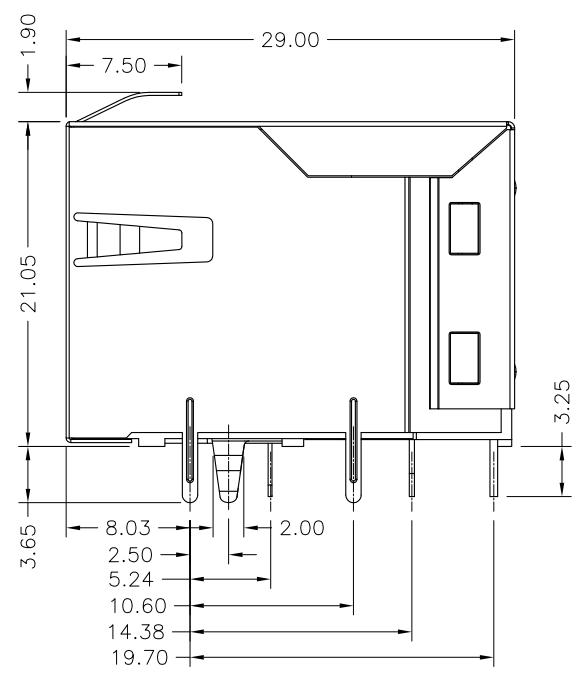
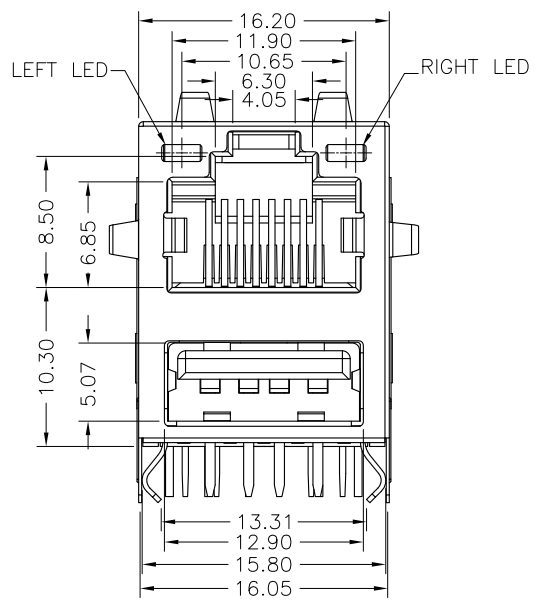
F

D

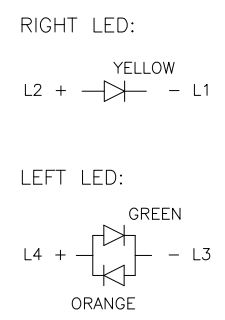
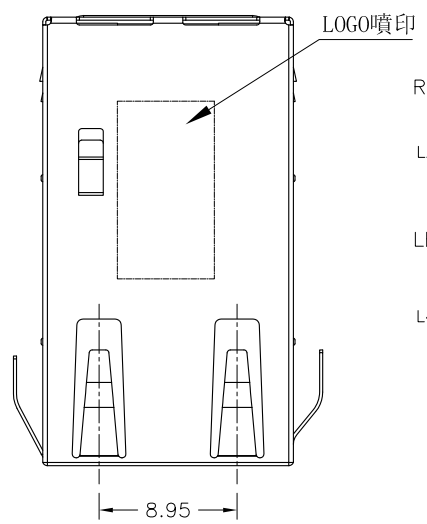
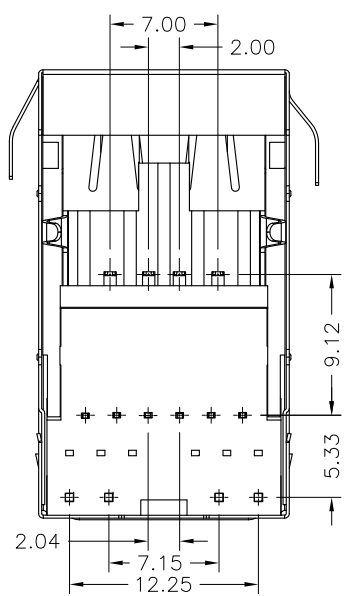
C

B

A



RECOMMENDED PCB LAYOUT
COMPONENT SIDE
TOLERANCE ±0.05



- NOTES:
- MATERIAL:
HOUSING:PBT PLASTIC BLACK(UL94V-0), HF
CONTACT:PHOSPHOR BORNZE
SHELL:SUS201-1/2H T=0.20MM
 - FINISHED:
CONTACT:50u"MIN. NICKEL UNDERPLATING ALL AREA,
100u"MIN. TIN ON SOLDER TAILS,
SELECT G/F PLATING ON CONTACT AREA.
SHELL:30u"MIN. NICKEL PRE-PLATING ALL AREA
 - USB MECHANICAL:
HOUSING:PBT
CONTACT:PHOSPHOR BORNZE
G/F PLATING ON CONTACT AREA
SHELL:SPCC
 - JACK CAVITY CONFORMS TO FCC RULES AND REGULATIONS PART 68, SUBPART F

| REV. | ECN. NO. | DRAWN | DATE |
|------|----------|-------|------------|
| A | NEW | Tony | 07/18/2014 |
| | | | |
| | | | |

ECONN Technology
ECONN corporation

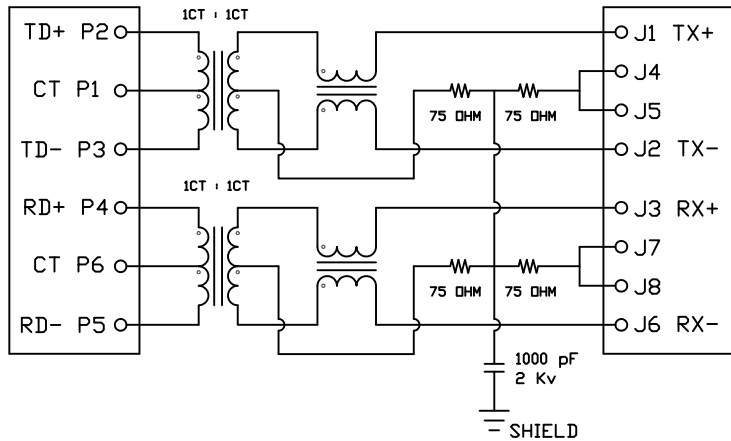
HSF
Compliant

| ⊗:QUALITY CONTROL ITEM | | GENERAL TOLERANCE | | PART NO.: FUB-CFAN-C443 | | |
|------------------------|--|-------------------|---------|-----------------------------|------------|------------|
| APPROVED | | .X± 0.38 | X.'± 2' | TITLE:RJ45+USB2.0CONN,W/LED | | |
| CHECKED | | .XX± 0.25 | .X'± 1' | 10/100MHZFILTER | | |
| DRAWN | | .XXX± 0.13 | | UNIT: mm | SCALE: 2:1 | SHEET: 1/3 |
| | | | | | | REV.: A |

SIZE: A4

CONNECTOR SOLDER SIDE

RJ45 CONTACT SIDE



e-CONN PART NO:

F U B - C F A N - C 4 4 3

SHELL CODE
F: ALL SPRING

HOUSING CODE
A: BLACK PBT(HF)

LED COLOR OPTION

CIRCUIT TYPE

PLATING CODE

6. ELECTRICAL CHARACTERISTICS :

TEST NOTES:(25°±5°C)

1. TR:(100KHz,0.1V); 100%
PINS:(P2,P3):(J1,J2)=1:1±3%;(P4,P5):(J3,J6)=1:1±3%
2. LX:(100KHz,100mV,8mA, DC Bias) 100%
PINS:(P2,P3),(P4,P5)=350uH MINIMUM
3. DCR: 100%
PINS:(J1,J2),(J3,J6)=1.2 MAXIMUM
4. HIPOT: 100%
PINS(P2,P3)TO(J1,J2),(P4,P5)TO(J3,J6)=1500VAC OR 2250VDC FOR 2 SECONDS
5. INSERTION LOSS:
-1.0dB MAXIMUM AT 1MHz TO 100MHz;
- 6.RETURN LOSS:
-20dB MINIMUM AT 1MHz TO 30MHz;
-15dB MINIMUM AT 30MHz TO 60MHz
-10dB MINIMUM AT 60MHz TO 80MHz
- 7.CROSS TALK:
-30dB MINIMUM AT 1MHz TO 100MHz
- 8.COMMON TO COMMON MODE REJECTION:
-30dB MINIMUM AT 1MHz TO 100MHz

| REV. | ECN. NO. | DRAWN | DATE |
|------|----------|-------|------------|
| A | NEW | Tony | 07/18/2014 |
| | | | |
| | | | |



| | | |
|------------------------|---|---|
| ⊗:QUALITY CONTROL ITEM | GENERAL TOLERANCE .X± 0.38 X:± 2' .XX± 0.25 .X*± 1' .XXX± 0.13 | PART NO.: FUB-CFAN-C443 TITLE:RJ45+USB2.0CONN,W/LED 10/100MHZFILTER |
| APPROVED | | |
| CHECKED | | |
| DRAWN | UNIT: mm | SCALE:2:1 SHEET: 2/3 REV.: A |

1 2 3 4 5 6 7 8

F

E

D

C

B

A

F

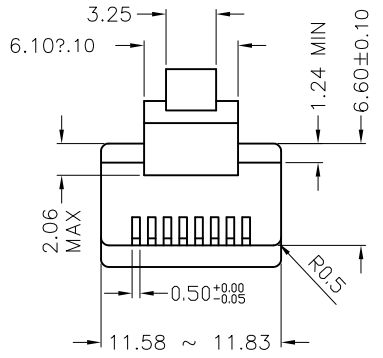
E

D

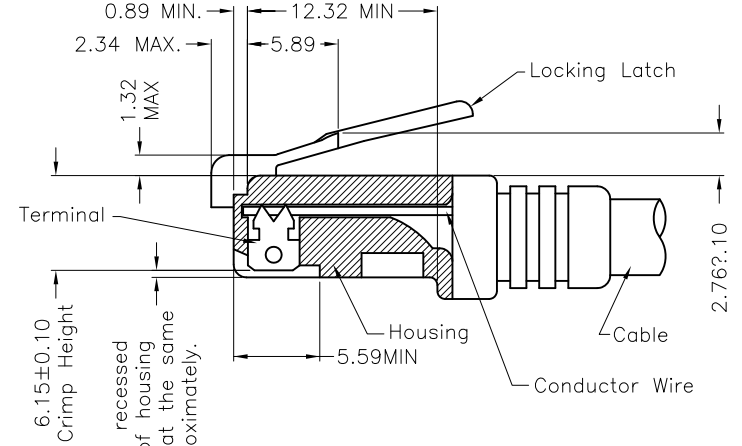
C

B

SIZE: A4



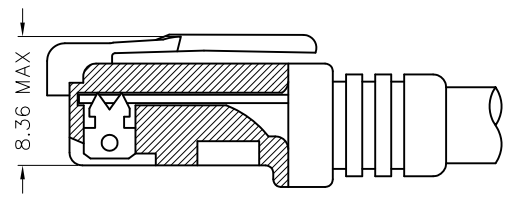
* There must be no damage to housing or locking latch. There must be no nicks or cuts in cable.
 * Durability : 750 cycles generally



All contacts recessed below top of housing and must be at the same height approximately.

FOLLOW SPECIFICATION : FCC, PART 68, SUBPART F FIGURE 68.500 (C)(2)(i) AND IEC 603-7 FIGURE 23 & 24

STANDARD MODULAR PLUG ASSEMBLY



FOLLOW SPECIFICATION : FCC, PART 68, SUBPART F FIGURE 68.500 (C)(2)(ii)

| | | | |
|------|----------|-------|------------|
| REV. | ECN. NO. | DRAWN | DATE |
| A | NEW | Tony | 07/18/2014 |
| | | | |
| | | | |



| | | | | | | |
|------------------------|--|-------------------|---------|-----------------------------|------------|------------|
| ⊗:QUALITY CONTROL ITEM | | GENERAL TOLERANCE | | PART NO.: FUB-CFAN-C443 | | |
| APPROVED | | .X± 0.38 | X.*± 2' | TITLE:RJ45+USB2.0CONN,W/LED | | |
| CHECKED | | .XX± 0.25 | .X*± 1' | 10/100MHZFILTER | | |
| DRAWN | | .XXX± 0.13 | | UNIT: mm | SCALE: 2:1 | SHEET: 3/3 |
| | | | | | | REV.: A |