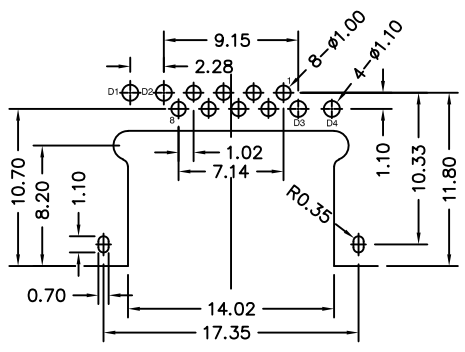
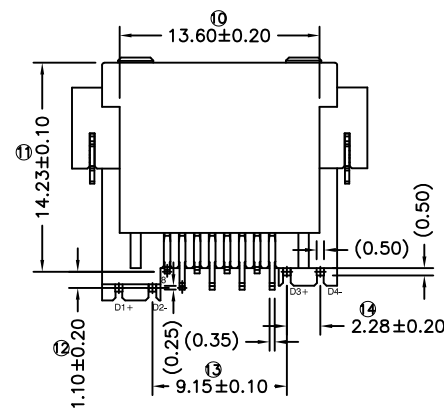


NOTES:  
 1.MATERIAL:  
 HOUSING:HIGH TEMPERATURE THERMAL PLASTIC,PA9T(GN2230), UL94V-0,COLOR:OPTIONS  
 TERMINAL:PHOSPHOR BRONZE C5210-EH T=0.25mm.  
 FITTING NAIL:BRASS C2680-H T=0.30mm.  
 2.FINISH:  
 TERMINAL:  
 CONTACT AREA:SELECTED GOLD PLATING;  
 SOLDERING AREA:MATTE TIN PLATING 100u" THICKNESS MIN.  
 UNDER PLATING :NICKEL PLATING 50u" THICKNESS MIN.OVERALL.  
 FITTING NAIL:  
 MATTE TIN PLATING 100u" THICKNESS MIN.  
 3.PRODUCT SPECIFICATION REFER TO:PS-7632  
 4.TEST SUMMARY REFER TO:TS-7632-XXX  
 5.CRITICAL DIMENSION ▼ SHOULD BE CONTROLLED BY SPC  
 6.MAJOR DIMENSION ■ MUST BE CONTROLLED BY QIP.  
 7.THIS PRODUCT DOESN'T CONTAIN ENVIRONMENTAL HAZARDOUS PER DIRECTIVE 2011/65/EU FOR ROHS COMPLIANT  
 8.LED WAVELENGTH:

Colour	Wave length	IV	Condition
Yellow	585~590nm	1~9 mcd	IF=20mA
Green	565~570nm	1~9 mcd	



RECOMMENDED PCB LAYOUT TOP VIEW  
 TOLERANCE:±0.03MM  
 PCB THICKNESS :1.60±0.05mm

J C D - C 0 7 1 - X 0 0 0

7: PA9T

LED CODE:  
 1 :LEFT : Yellow  
 RIGHT : Green

C :G/F  
 F :15u'  
 G :30u'  
 H :50u'

REV.	ECN. NO.	DRAWN	DATE	EC.content
A.0	NEW	ALLEN	2020.04.27	



⊗:QUALITY CONTROL ITEM	GENERAL TOLERANCE	PART NO.:
APPROVED	.X±0.15 X':±2'	JCD-C071-X000
CHECKED	.XX±0.10 .X'±1'	TITLE:沉板式RJ
DRAWN	.XXX±0.05	