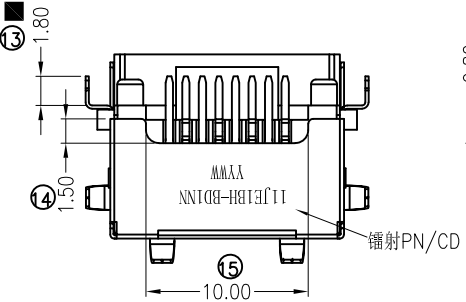
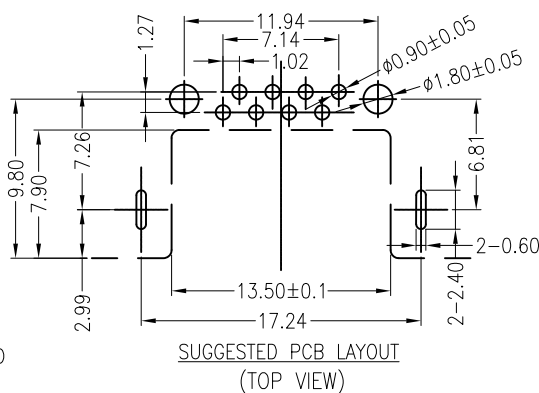
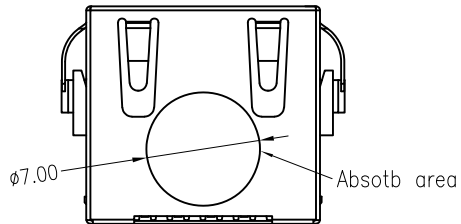
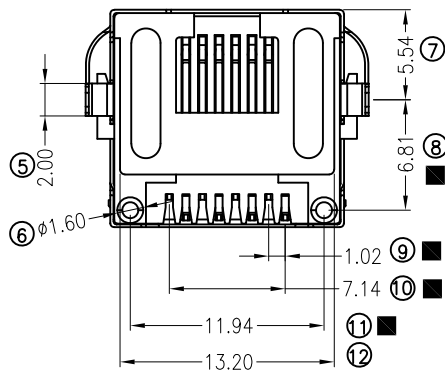


- NOTES:
- MATERIALS:
HOUSING: SEE ORDER INFORMATION BLACK(UL94V-0)
CONTACTS: PHOSPHOR BRONZE T=0.35mm
SHIELD: BRASS T=0.2mm
 - FINISH:
CONTACT: 50u" NICKEL UNDERPLAT ON ALL AREA, 100u" MIN. MATTE TIN ON SOLDER TAILS, GOLD PLATED ON CONTACT AREA.
 - MATES WITH MODULAR PLUG CONFORMING TO FCC PART 68, SUBPART F
 - OPERATING TEMPERATURE: -40°C~+85°C.
 - STORAGE TEMPERATURE: -40°C~+85°C.
 - LOW LEVEL CONTACT RESISTANCE: 30 mΩ MAXIMUM
 - INSULATION RESISTANCE: 500 MΩ MINIMUM @500V DC
 - DIELECTRIC WITHSTANDING VOLTAGE:
1500 VAC PIN TO PIN (PIN AND LED PIN); 1500 VAC PIN TO SHIELD
 - MATING AND UNMATING FORCES:
INSERTION FORCE: 22 N MAX.
WITHDRAWAL FORCE: 44.48 N MAX.(WITH LATCH)
 - DURABILITY: 750 CYCLES GENERALLY



JD1B-C A 3 0-D 1 1 0

SHELL CODE
A: All Spring

3-Housing PA6T
BLACK

LED CODE
0-W/O LED

1-沉板高度8.20
1-脚长1.80 壳脚1.80
D-GOLD PLATED 6U" 镀雾锡

REV.	ECN. NO.	DRAWN	DATE	EC.content
A.0	NEW	Victor	12/19/2024	



⊗: QUALITY CONTROL ITEM	GENERAL TOLERANCE .X±0.38 X.'±2' .XX±0.20 .X'±1' .XXX±0.10	PART NO.: JD1B-CA30-D110
APPROVED		TITLE: RJ45 沉板 全弹 DIP
CHECKED		SCALE: 1:1 SHEET: 1/1 REV.: A.0
DRAWN	UNIT: mm	