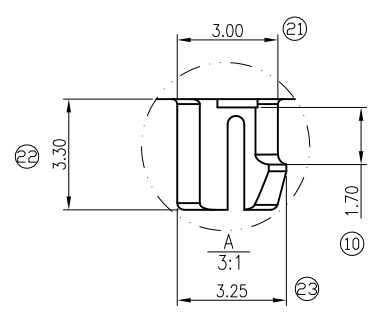
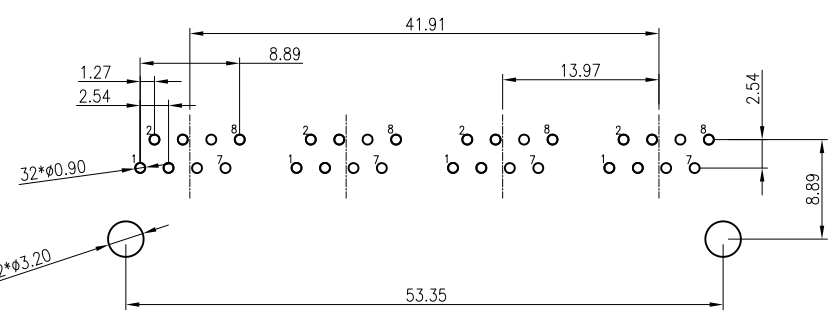


NOTES:
 1.MATERIAL:
 HOUSING:HIGH TEMP. THERMOPLASTIC, UL 94V-0
 CONTACT:PHOSPHOR BRONZE,φ=0.46mm
 2.FINISH:
 CONTACT:30u"MIN. NICKEL UNDERPLATING ALL AREA,
 GOLD PLATING UNDERPLATING ALL AREA,
 3.OPERATING TEMPERATURE:-40°C~+85°C.
 4.JACK CAVITY CONFORMS TO FCC RULES AND
 REGULATIONS PART 68, SUBPART F
 5.THE SIZE OF THE PRODUCT MOUTH IS SUBJECT TO FCC REGULATIONS



PART NUMBER:
 JD4A-0 0 1 1-0 0 A M
 Housing PBT
 BLACK
 香菇柱
 LED Code W/O LED
 Gold Plated G/Fu"
 Contact PIN 3.20mm

PCB LAYOUT TOP VIEW
 DIMENSIONS TOLERANCE:±0.05

REV.	ECN. NO.	DRAWN	DATE	EC.content
A.0	NEW	Tony	10/23/2020	



⊗: QUALITY CONTROL ITEM	GENERAL TOLERANCE .X± 0.38 X.'± 2' .XX± 0.25 .X'± 1' .XXX± 0.13	PART NO.: JD4A-0011-00AM
APPROVED		TITLE:RJ45 CONN. JD4A.1X4 CONNNECTOR
CHECKED		W/OLED, 8P8C,0.1u" MIN
DRAWN	UNIT: mm	SCALE: 1:1 SHEET: 1/1 REV.: A.0