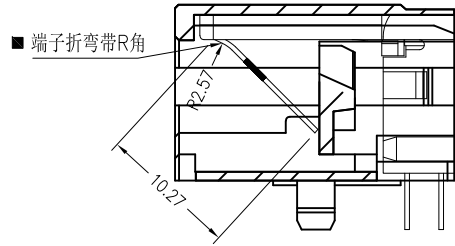
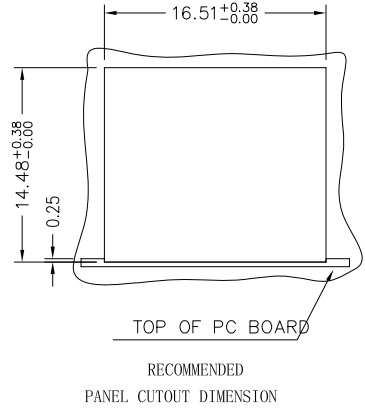
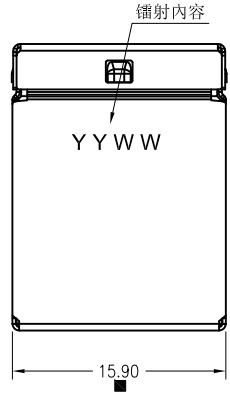
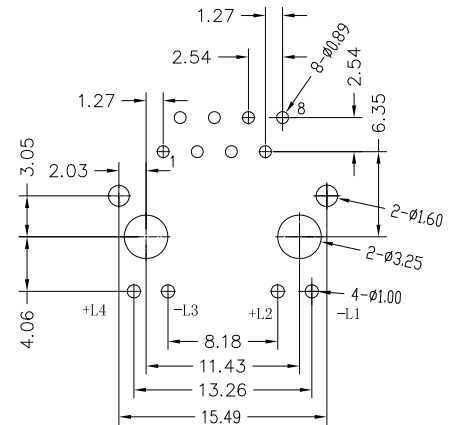


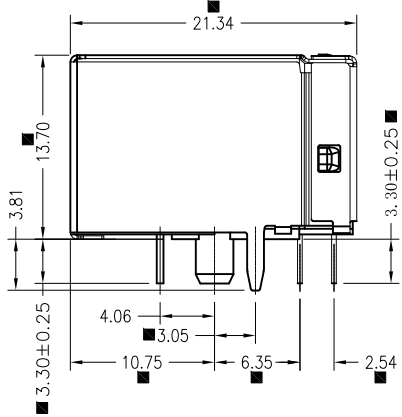
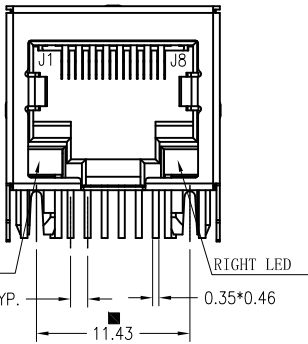
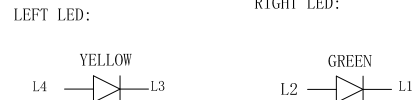
1. MECHANICAL DIMENSIONS :



2. PCB LAYOUT



SUGGESTED PCB LAYOUT
DIMENSIONAL TOLERANCE: XX ±0.05



P/N RULE:
JDCA-D 4 B 1-Y G 1 C-1

SHELL CODE
W/O SPRING
W/O LOGO

HOUSING:PBT BLUE

LED CODE
LEFT LED:Yellow
RIGHT LED:Green

PIN 3.30mm
LED 3.30mm

GOLD PLATED G/F U"
Matte TIN

端子带R角规格

NOTES:

1. MATERIALS:
- HOUSING -PBT POLYESTER UL94V-0
 - MIXED GLASS FIBER.
 - STANDARD COLOR-BLUE (PROCESS BLUE U).
 - CONTACTS -0.35mm THICK PHOS-BRONZE PLATED WITH G/F U" GOLD AND Matte TIN IN SOLDER AREA.
 - SHIELD -0.25mm THICK COPPER ALLOY, PLATED WITH NICKEL.
2. CAVITY CONFIRMS TO FCC RULES AND REGULATIONS PART 68, SUBPART F.

REV.	ECN. NO.	DRAWN	DATE	EC.content
A.0	NEW	ALLEN	2022.2.16	



⊗ QUALITY CONTROL ITEM	GENERAL TOLERANCE .X± 0.38 X'.± 2' .XX± 0.25 .X'± 1' .XXX± 0.13	PART NO.: JDCA-D4B1-YG1C-1
APPROVED		TITLE:RJ45,CONNECTORS,W/LED,8P8C NO FILTER
CHECKED		
DRAWN	UNIT: mm	SCALE: 1:1 SHEET: 1/1 REV.: A.0