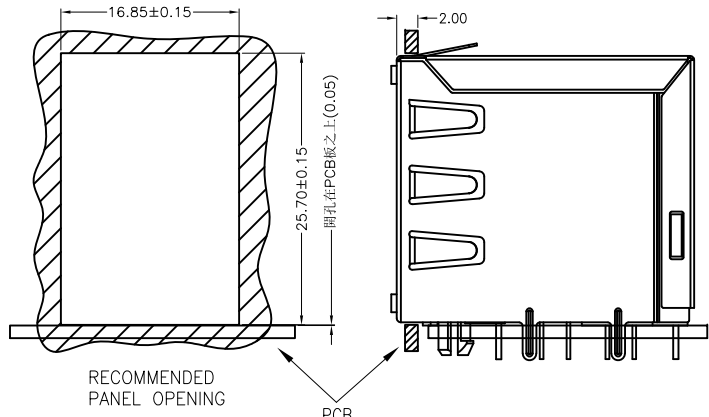
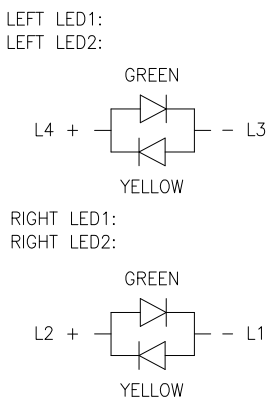
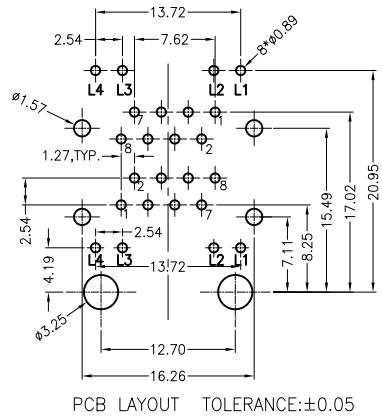


LED SCHEMATIC:



- NOTES:
- MATERIAL:
HOUSING:BLACK, UL 94V-0
CONTACT:C5191-H,T=0.35mm
SHELL:C2680-H, T=0.20mm
 - FINISH:
CONTACT:50u"MIN. NICKEL UNDERPLATING ALL AREA,
100u"MIN. TIN ON SOLDER TAILS,
GOLD PLATING ON CONTACT AREA .
SHELL:30u"MIN. NICKEL UNDERPLATING ALL AREA
 - OPERATING TEMPERATURE:-40°C~+85°C.
 - JACK CAVITY CONFORMS TO FCC RULES AND REGULATIONS PART 68, SUBPART F
 - LED 金線直徑 ≅ 1.0 mil
LED 金線拉力 ≅ 9g
 - 出展期按海外包裝出貨 (防水袋+干燥劑)。
 - GREEN波長525±5nm, 亮度: 1000typ MCD
YELLOW波長590±3nm



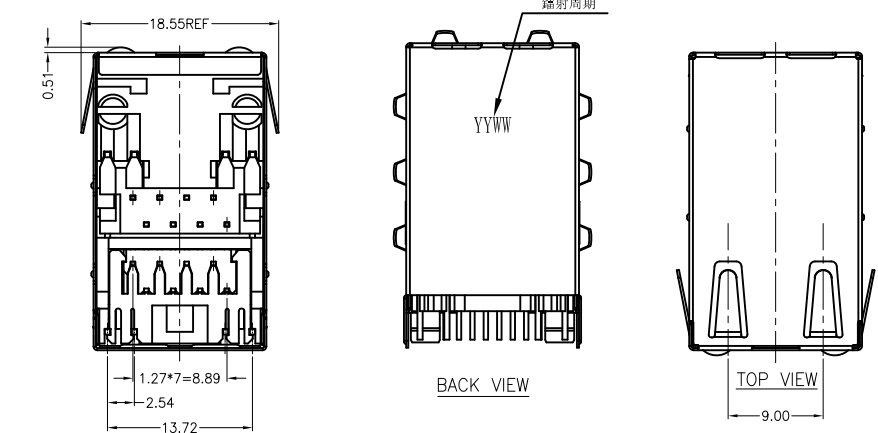
P/N RULE:
JM1-C A 3 A1 D 6 0 Y

SHELL CODE
A: W/ALL SPRING
TOP 2 SPRING.
W/O LOGO

LED CODE
LEFT LED: GR/YE
RIGHT LED: GR/YE

DIM CODE
Contact PIN DIM A :3.18
LED PIN DIM B :3.18

PLATING CODE
D-MATTED TIN,GOLD PLATED 6u"



REV.	ECN. NO.	DRAWN	DATE	EC.content
A.0	NEW	Candy	02/08/2022	



QUALITY CONTROL ITEM		GENERAL TOLERANCE		PART NO.: JM1-CA3A1D60Y		
APPROVED		.X±0.30	X.*±2'	TITLE:RJ45 CONNECTOR JM2*1 PORT W/LED,8P8C,Shielded,Thru-Hole		
CHECKED		.XX±0.20	.X'±1'			
DRAWN		.XXX±0.10				
		UNIT: mm	SCALE: 1:1	SHEET: 1/1	REV.: A.0	

SIZE: A4