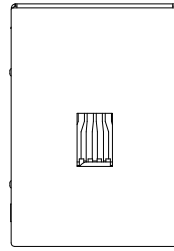
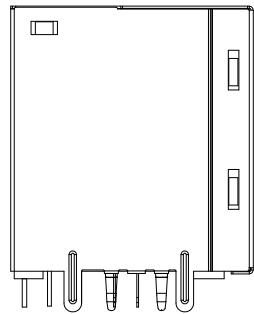


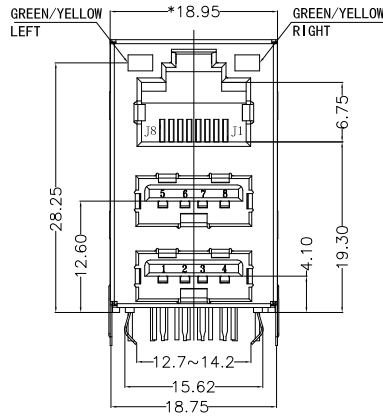
REACH & RoHS  
COMPLIANT



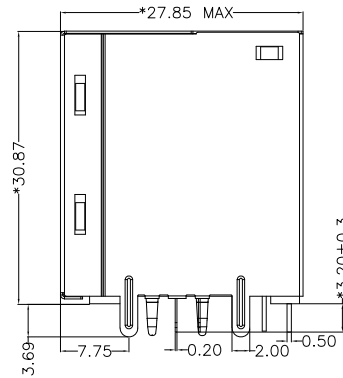
TOP VIEW



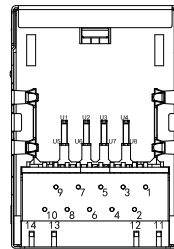
LEFT SIDE VIEW



FRONT VIEW



RIGHT SIDE VIEW



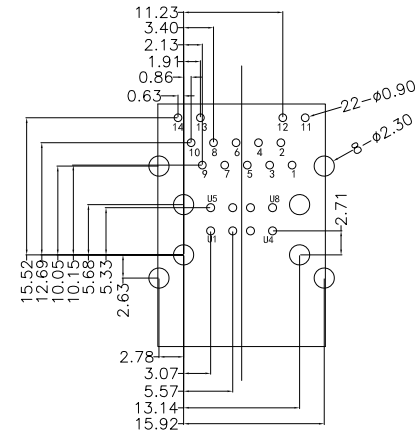
BOTTOM VIEW

**MATERIAL:**

HOUSING: PBT,UL94V-0,BLACK.  
 USB HOUSING: PBT,UL94V-0,BLACK.  
 TERMINALS BRACKET: PBT,UL94V-0,BLACK.  
 SHIELD: SUS304.  
 TERMINAL: PHOSPHOR BRONZE C5191,T=0.35MM,  
 6U" GOLD PLATING ON CONTACT AREA.  
 USB TERMINAL: BRASS,T=0.25MM,  
 6U" GOLD PLATING ON CONTACT AREA.

**MECHANICAL:**

DURABILITY: 750 CYCLES MIN.  
 MATING FORCE: 23N MAX.  
 OPERATING TEMPERATURE: -40°C~+85°C.  
 STORAGE TEMPERATURE: -40°C~+85°C.  
 ALL CRITICAL DIMENSIONS WITH "\*"



RECOMMENDED PCB LAYOUT  
VIEWED FROM COMPONENT SIDE

E-CONN PART NO:

F U B W - C B 1 A - 4 8 A A

B-SHELL CODE  
W/O SPRING  
W/O LOGO

HOUSING CODE:  
1-PBT BLACK

LED COLOR  
A-LEFT GR/YE  
RIGHT GR/YE

線路碼

4-PLATING GOLD 6U"

REV.	ECN. NO.	DRAWN	DATE	EC.content
A.0	NEW	Candy	11/29/2022	-



⊗: QUALITY CONTROL ITEM	GENERAL TOLERANCE .X±0.38 X:±2" .XX±0.25 .X:±1" .XXX±0.13	PART NO.: FUBW-CB1A-48AA
APPROVED		TITLE: RJ45+双USB2.0 1000BASE
CHECKED		SCALE: 1:1 SHEET: 1/4 REV.: A.0
DRAWN	UNIT: mm	

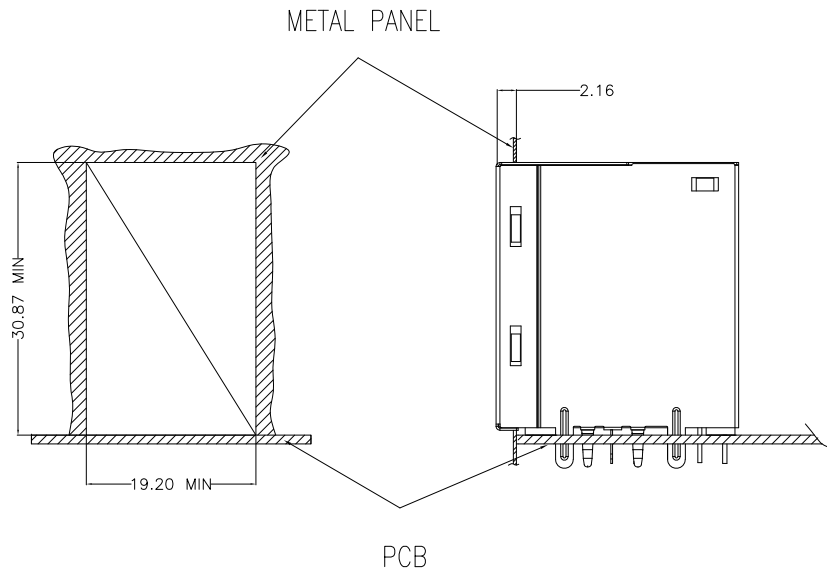
說明: △: 備註 ◇: 版本變更 ①: 尺寸序號 ■: 重點尺寸 ▼: CPK 尺寸 DOCUMENT NO. : ZER0013/A.3

1 2 3

SIZE: A4

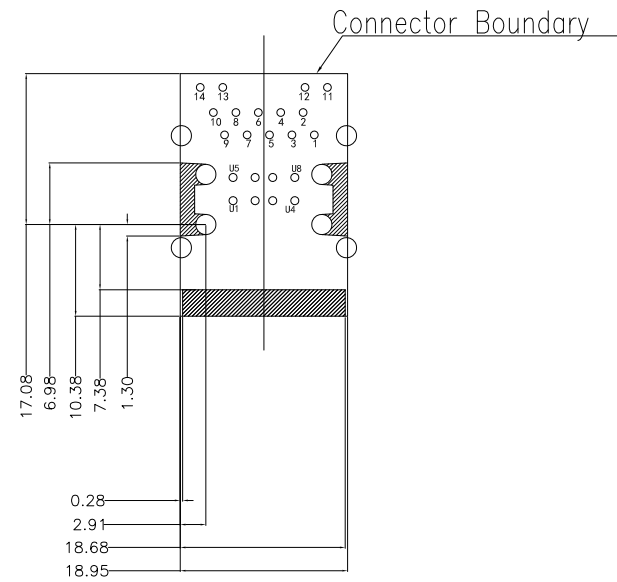
REACH & RoHS  
COMPLIANT

Suggested Panel Opening:



UNIT: mm / inch  
Tolerances:  $\pm 0.10$  / 0.004

Keep-Out Area (Component Side View):



Plug In Side

UNIT: mm / inch  
Tolerances:  $\pm 0.10$  / 0.004

REV.	ECN. NO.	DRAWN	DATE	EC.content
A.0	NEW	Candy	11/29/2022	-



⊗: QUALITY CONTROL ITEM		GENERAL TOLERANCE .X $\pm$ 0.38 X: $\pm$ 2" .XX $\pm$ 0.25 .X: $\pm$ 1" .XXX $\pm$ 0.13		PART NO.: FUBW-CB1A-48AA	
APPROVED				TITLE: RJ45+双USB2.0 1000BASE	
CHECKED		UNIT: mm		SCALE: 1:1	SHEET: 2/4
DRAWN				REV.: A.0	

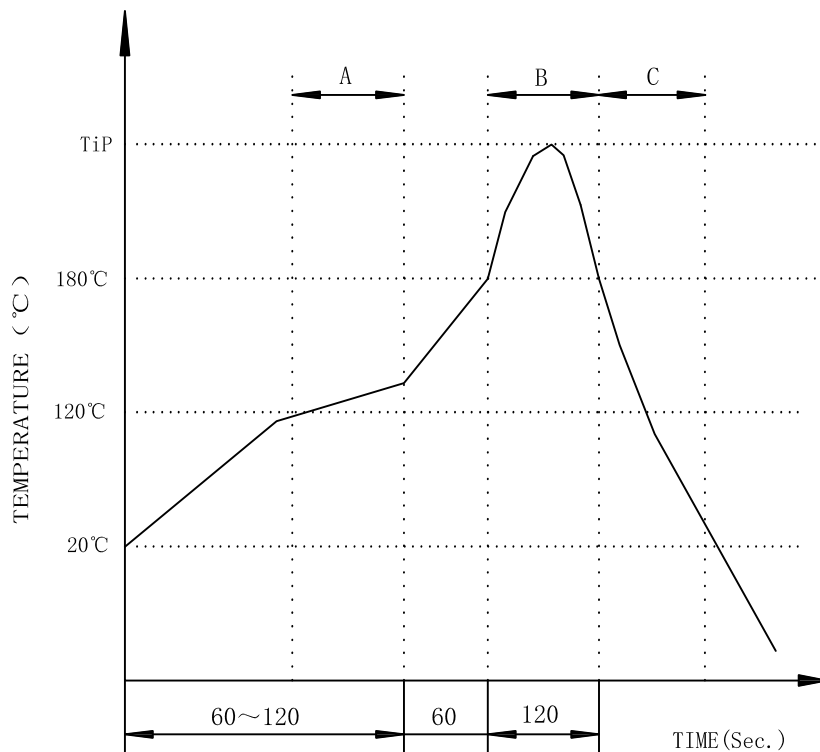
说明:  $\triangle$ : 備註  $\diamond$ : 版本變更  $\textcircled{N}$ : 尺寸序號  $\blacksquare$ : 重點尺寸  $\blacktriangledown$ : CPK尺寸 DOCUMENT NO. : ZER0013/A.3

SIZE: A4



REACH & RoHS  
COMPLIANT

# PROFILE OF WAVE SOLDER



A.Preheating B.Soldering C.Gradual Cooling  
 Tip temperature:260±5°C.  
 Tip temperature time:5Sec Max.  
 Tip melting point of Sn96.5/Ag3/Cu0.5:217°C.

Remarks: after wave soldering, the plastic positioning columns of the product which under the PCB will be slightly melted, but it won't affect its function.

REV.	ECN. NO.	DRAWN	DATE	EC.content
A.0	NEW	Candy	11/29/2022	-



⊗: QUALITY CONTROL ITEM		GENERAL TOLERANCE .X± 0.38 X.'± 2' .XX± 0.25 .X'± 1' .XXX± 0.13		PART NO.: FUBW-CB1A-48AA	
APPROVED		TITLE: RJ45+双USB2.0 1000BASE			
CHECKED		UNIT: mm	SCALE: 1:1	SHEET: 4/4	REV.: A.0
DRAWN					

說明: △: 備註 ◇: 版本變更 ④: 尺寸序號 ■: 重點尺寸 ▼: CPK 尺寸 DOCUMENT NO. : ZER0013/A.3

SIZE: A4