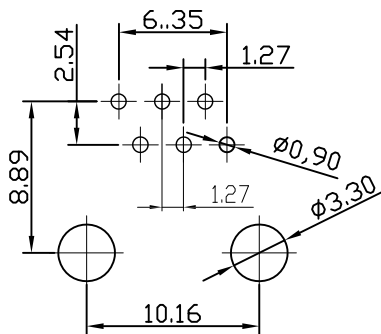
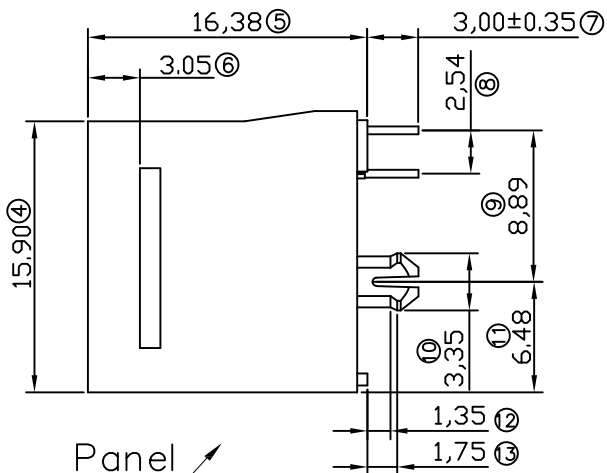
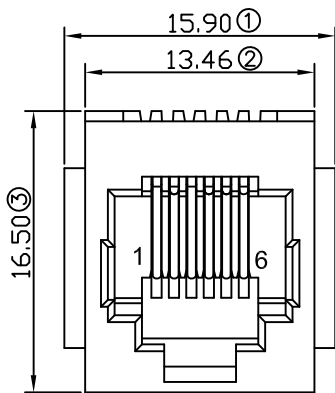


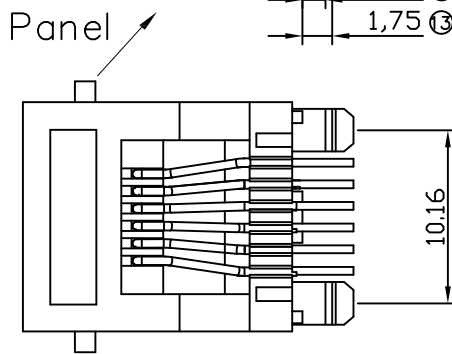
1 2 3 4 5 6 7 8

F
E
D
C
B
A

F
E
D
C
B
A



PCBLAYOUT
TOL:±0.05



NOTES

MATERIAL
 1. HOUSING MATERIAL : THERMO PLASTICS UL94V-0.
 2. CONTACT MATERIAL : PHOSPHOR BRONZE Ø0.46mm.
 3. PLATING : GOLD FLASH PLATING OVER NICKEL 50U".

ELECTRICAL
 1. VOLTAGE RATING : 125 VAC RMS.
 2. CURRENT RATING : 1.5 AMP.
 3. CONTACT RESISTANCE : 40 MILLIOHMS MAX.
 4. INSULATION RESISTANCE : 500 MEGOHMS MIN @ 100V DC .
 5. DIELECTRIC DIELECTRIC RESISTANCE : 500V DC RMS 50Hz. 1MIN.

MECHANICAL
 1. DURRABILITY : 750 CYCLES MIN.
 2. MATING/UNMATING FORC: 2.24 KG. F MAX.

ENVIRONMENTAL :
 1. OPERATION : -40°C ~ +85°C.
 2. STORAGE : -40°C ~ +85°C.

REV.	ECN. NO.	DRAWN	DATE	EC.content
A.0	New	Candy	05/23/2024	



⊗: QUALITY CONTROL ITEM		GENERAL TOLERANCE		PART NO.: WJ-3049-1066	
APPROVED		.X±0.38	X.*±2'	TITLE:RJ11,CONN,W/O LED 6P6C	
CHECKED		.XX±0.25	.X*±1'	1*1 PORT 180度有耳	
DRAWN		.XXX±0.13		UNIT: mm	SCALE: 1:1
				SHEET: 1/1	REV.: A.0

1 2 3 說明: △: 備註 ◇: 版本變更 ○: 尺寸序號 ■: 重點尺寸 ▼: CPK 尺寸 DOCUMENT NO. : ZER0013/A.3

DIE ON: YKXXX

SIZE: A4