

1 2 3 4 5 6 7 8

F

E

D

C

B

A

F

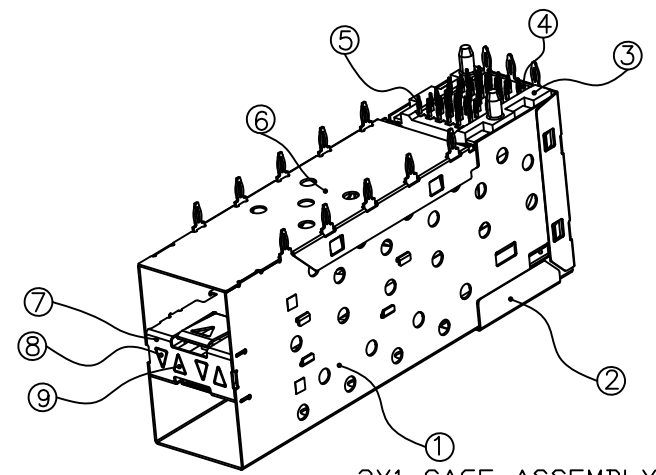
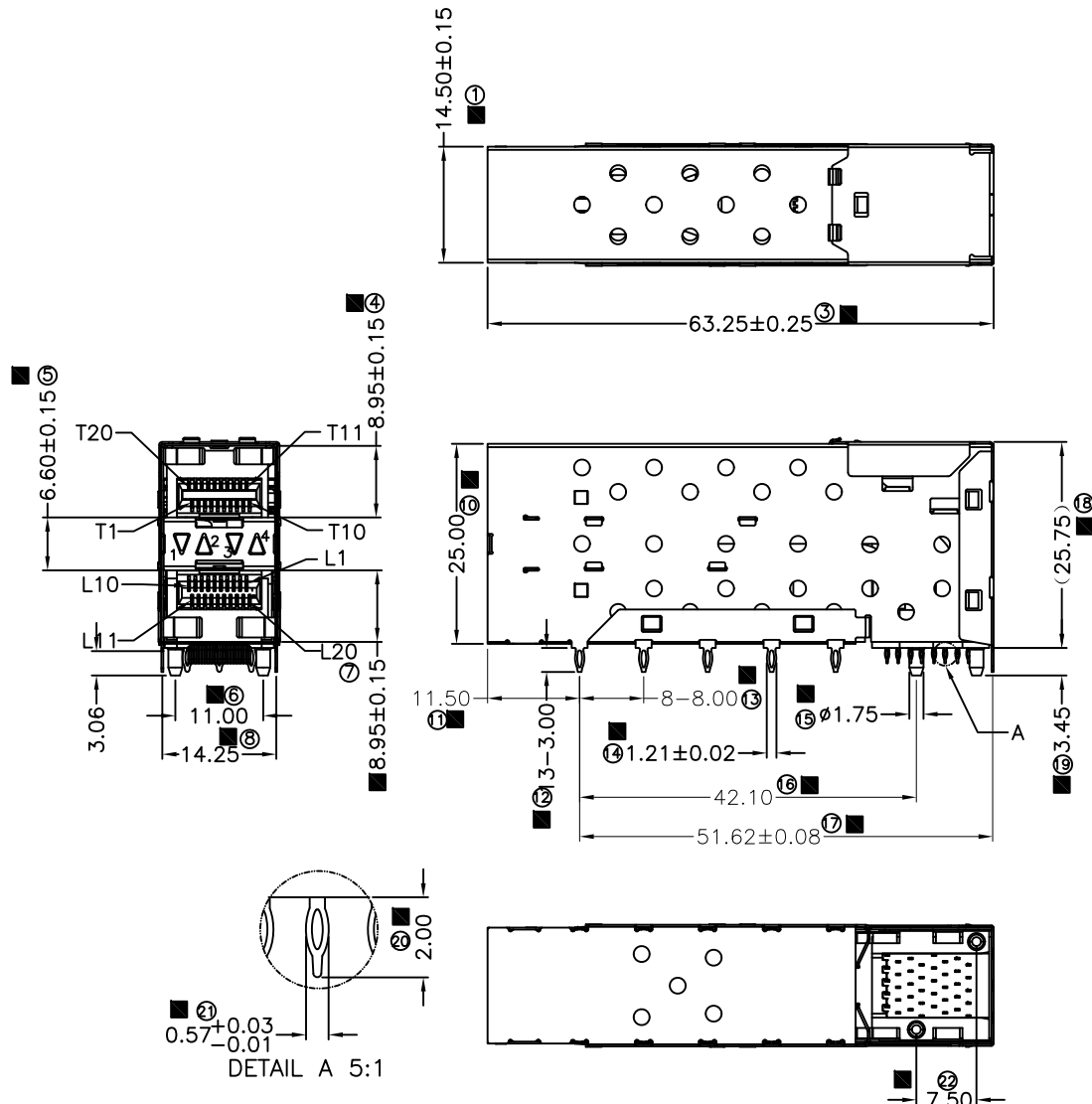
E

D

C

B

A



2X1 CAGE ASSEMBLY

NOTES:  
 MECHANICAL REQUIREMENT:  
 1.DURABILITY:100CYCLES MIN  
 2.INSERTION ANDEXTRACTION FORCE :40N MAX&11.5N MIN  
 ENVIRONMENTAL:  
 1.TEMPERATIRE RANGE:-40°TO+85°C  
 2.STORAGE:-55°TO+105°C  
 3.PACKAGING:TRAY PACKAGING

ITEM	PARTS NAME	Q'TY	MATERIAL	FINISH/REMARK
1	CAGE	1	COPPER ALLOY	NI 50U" MIN
2	BACK CAGE	1	COPPER ALLOY	NI 50U" MIN
3	HOUSING	1	TEMPERATURE PLASTIC	BLACK
4	INSERT	10	TEMPERATURE PLASTIC	BLACK
5	TERMINAL	10	COPPER ALLOY	AU 15U" MIN
6	BOTTOM CAGE	1	SUS	
7	MID CAGE	1	COPPER ALLOY	NI 50U" MIN
8	LIGHT PIPES-01	1	POLYCARBONATE	TRANSPARENT
9	LIGHT PIPES-02	1	POLYCARBONATE	TRANSPARENT

REV.	ECN. NO.	DRAWN	DATE	EC.content
A.0	NEW	Victor	01/12/2026	



⊗:QUALITY CONTROL ITEM APPROVED CHECKED DRAWN		GENERAL TOLERANCE .X±0.35 X:±2" .XX±0.25 .X:±1" .XXX±0.15	PART NO.: SFP21-2040-F230-01 TITLE:SFP+ 2X1 CAGE+CONNECTOR 15U"+LIGHT PIPE
UNIT: mm		SCALE: 1:1	SHEET: 1/3
		REV.: A.0	

SIZE: A4

F

E

D

C

B

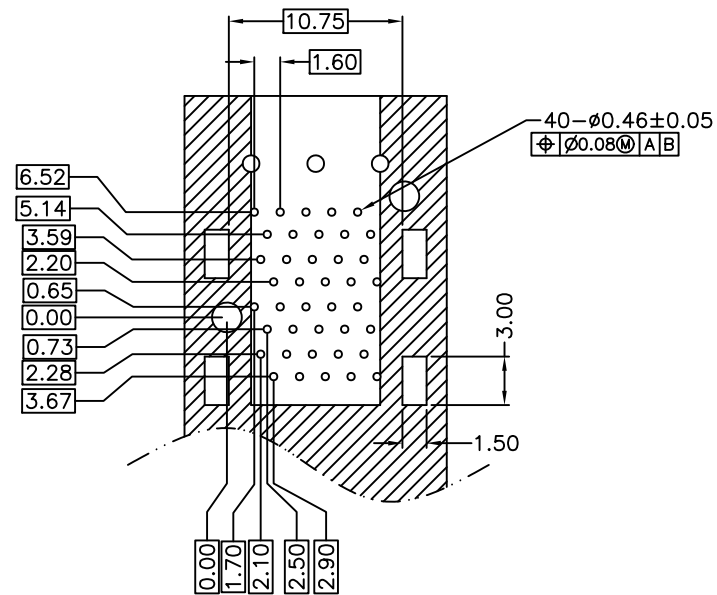
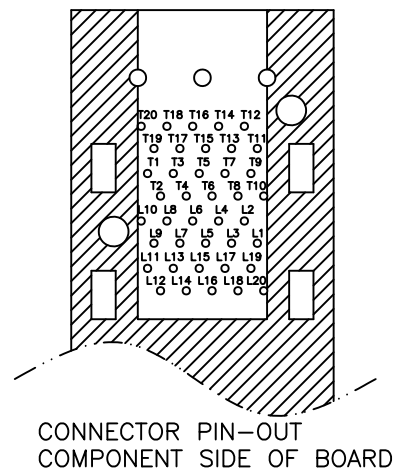
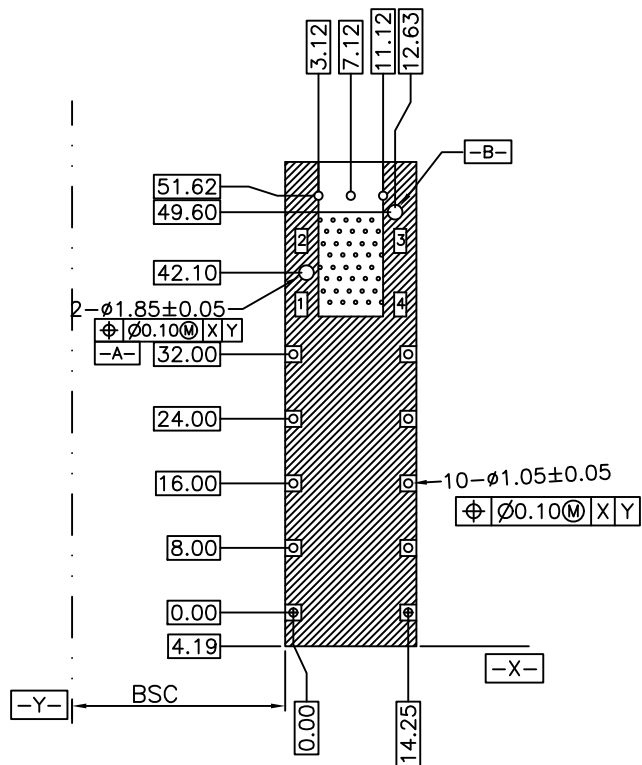
F

E

D

C

B



NOTES:  
1.DATUM AND BASIC DIMENSIONS ESTABLISHED BY CUSTOMSR.  
2.1.05mm DIAMETER HOLES ARE CHASSIS GROUND.

REV.	ECN. NO.	DRAWN	DATE	EC.content
A.0	NEW	Victor	01/12/2026	



⊗:QUALITY CONTROL ITEM		GENERAL TOLERANCE		PART NO.: SFP21-2040-F230-01		
APPROVED		.X± 0.35	X.'± 2'	TITLE:SFP+ 2X1 CAGE+CONNECTOR		
CHECKED		.XX± 0.25	.X'± 1'	15U"+LIGHT PIPE		
DRAWN		.XXX± 0.15		UNIT: mm	SCALE: 1:1	SHEET: 2/3
						REV.: A.0

1 2 3 4 5 6 7 8

F

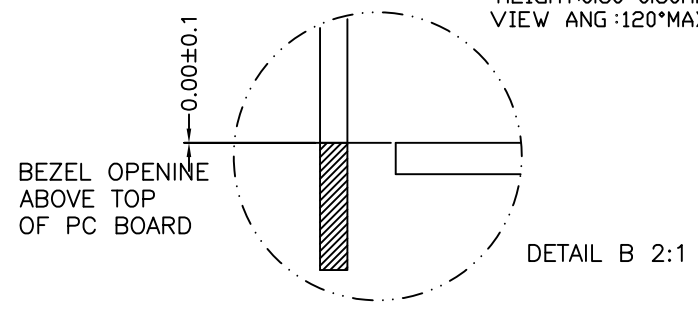
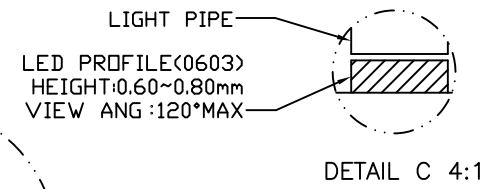
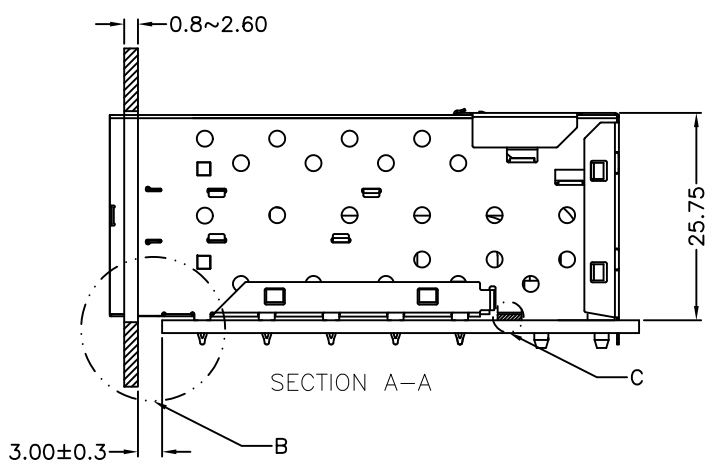
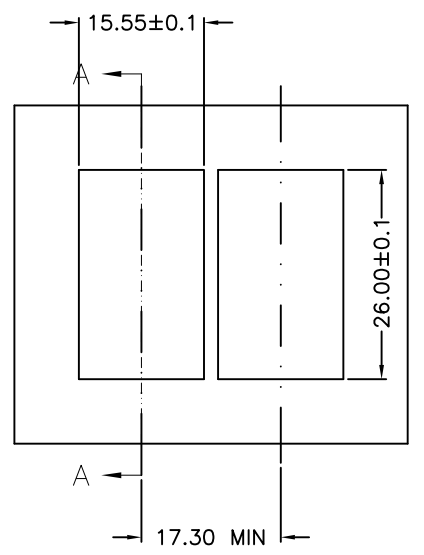
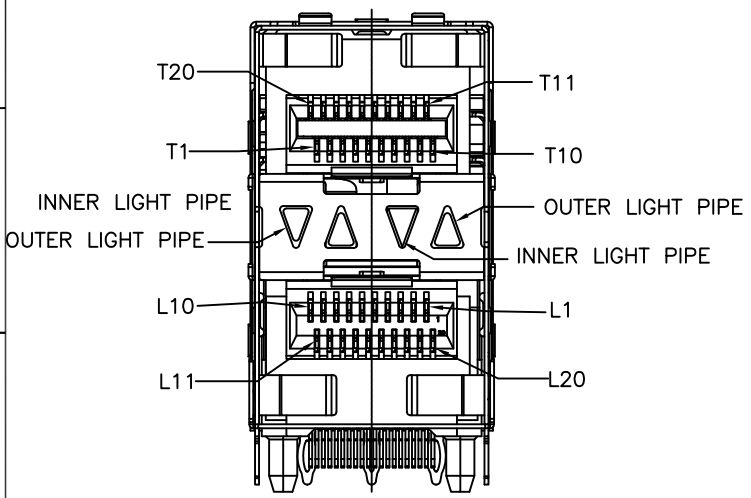
E

D

C

B

A



REV.	ECN. NO.	DRAWN	DATE	EC.content
A.0	NEW	Victor	01/12/2026	



⊗:QUALITY CONTROL ITEM		GENERAL TOLERANCE .X± 0.35 X.'± 2' .XX± 0.25 .X'± 1' .XXX± 0.15		PART NO.: SFP21-2040-F230-01		
APPROVED				TITLE:SFP+ 2X1 CAGE+CONNECTOR 15U"+LIGHT PIPE		
CHECKED				SCALE: 1:1	SHEET: 3/3	REV.: A.0
DRAWN		UNIT: mm	⊕			

1 2 3 說明: △: 備註 ◇: 版本變更 ①: 尺寸序號 ■ 重點尺寸 ▼: CPK尺寸 DOCUMENT NO. : ZER0013/A.3

SIZE: A4