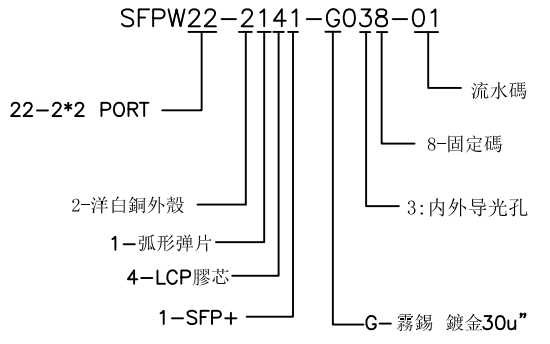


NOTES:

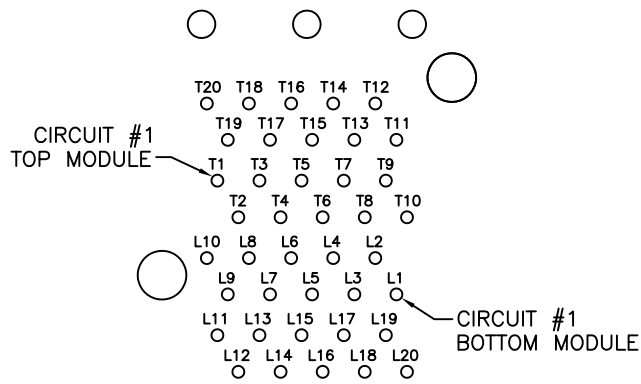
MATERIAL:  
 CAGE: COPPER ALLOY 30u" MIN NI-PLATED, THICKNESS 0.25 MM  
 CONNECTOR:  
 PLASTIC HOUSING: HIGH TEMPERATURE LCP, UL94 V-0.  
 LIGHT PIPE: POLYCARBONATE; COLOR: CLEAR  
 SPRING: STAINLESS STEEL, THICKNESS 0.20mm  
 CONTACTS: PHOSPHOR BRONZE, THICKNESS 0.20mm  
 PLATING: 30μ" MIN. GOLD ON MATING AREA,  
 150μ" MIN. MATE TIN ON SOLDER TAILS.  
 PACKAGING: TRAY PACKAGING.  
 OPERATING TEMPERATURE: -40°C TO +85°C  
 STORAGE TEMPERATURE: -55°C TO +105°C



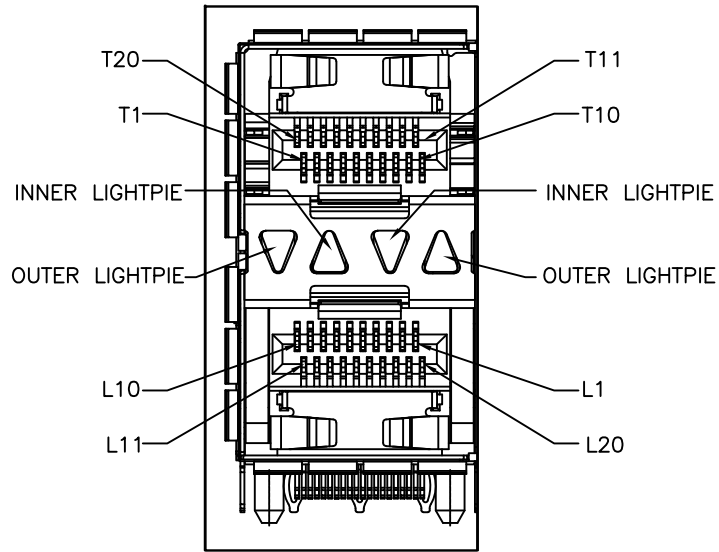
REV.	ECN. NO.	DRAWN	DATE	EC.content
A.0	NEW	Candy	07/19/2024	



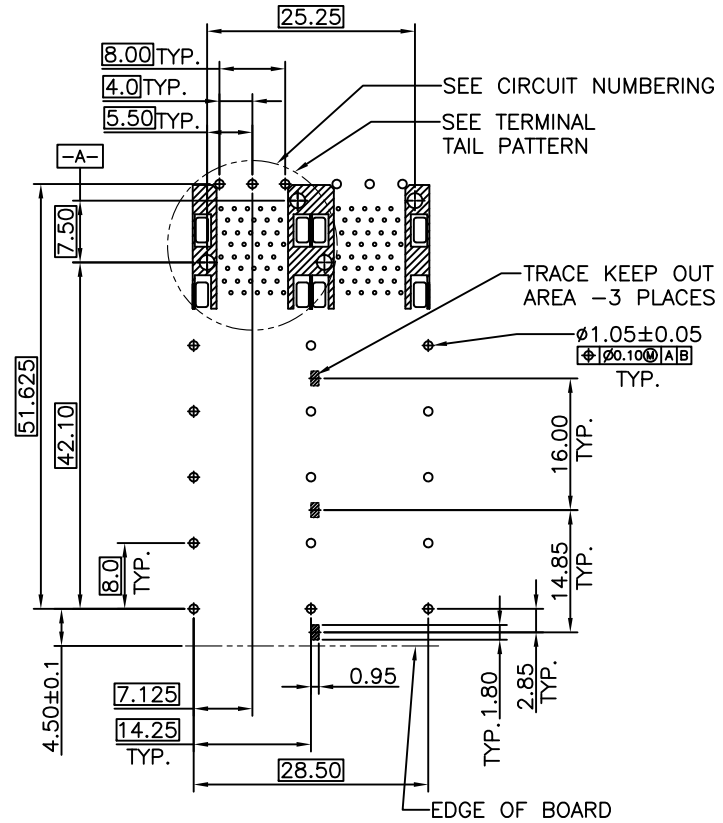
⊗: QUALITY CONTROL ITEM	GENERAL TOLERANCE .X± 0.20 .X*± 2' .XX± 0.15 .X*± 1' .XXX± 0.10	PART NO.: SFPW22-2141-G038-01
APPROVED		TITLE: SFP+ 2X2 CAGE+CONNECTOR
CHECKED		UNIT: mm
DRAWN	SCALE: 1:1	SHEET: 1/4
		REV.: A.0



CIRCUIT NUMBERING  
COMPONENT SIDE OF BOARD



DETAIL A  
CIRCUIT NUMBERING  
AND LIGHTPIPE INDENTIFICATION



RECOMMENDED PCB LAYOUT - COMPONENT SIDE  
RECOMMENDED PCB THICKNESS : 2.36MM(.093 INCH)  
(MINIMUM PCB THICKNESS : 1.57)

THE ENTIRE AREA OF THE CONNECTOR FOOTPRINT  
TO BE CONSIDERED THE KEEP OUT AREA FOR COMPONENTS  
THIS AREA IS INDICATED BY THE DASHED LINE

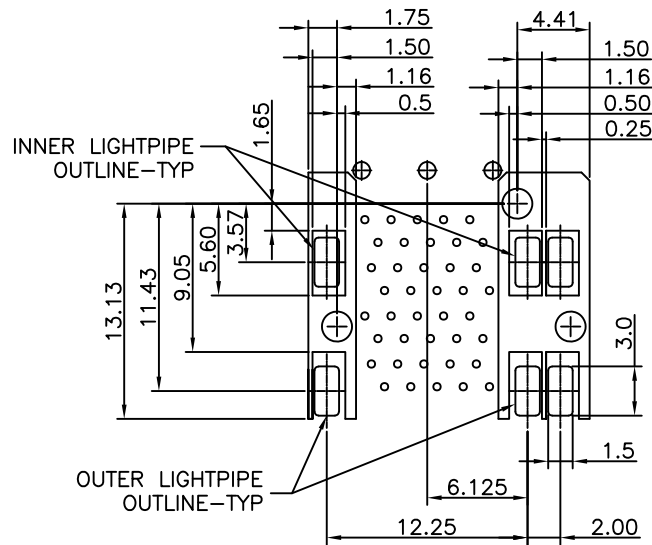
REV.	ECN. NO.	DRAWN	DATE	EC.content
A.0	NEW	Candy	07/19/2024	



⊗: QUALITY CONTROL ITEM APPROVED CHECKED DRAWN		GENERAL TOLERANCE .X± 0.20 X: ± 2' .XX± 0.15 X: ± 1' .XXX± 0.10	PART NO.: SFPW22-2141-G038-01 TITLE: SFP+ 2X2 CAGE+CONNECTOR
UNIT: mm		SCALE: 1:1	SHEET: 2/4
		REV.: A.0	

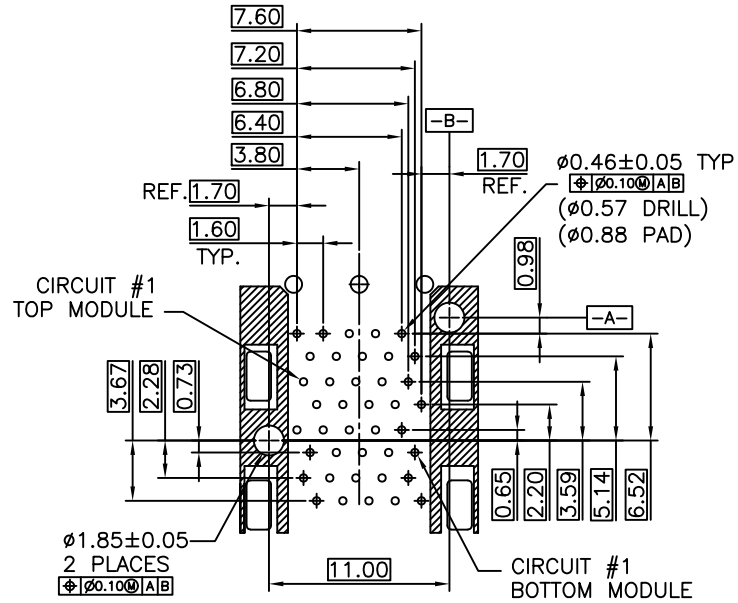
説明: △: 備註 ◇: 版本變更 ①: 尺寸序號 ■: 重點尺寸 ▼: CPK 尺寸 DOCUMENT NO. : ZER0013/A.3

SIZE: A4



DETAIL-KEEPOUT ZONES

THE HATCHED AREA IN THIS VIEW INDICATES ZONES THAT ARE OCCUPIED BY THE PLASTIC HOUSING THAT SEATS AGAINST THE PCB AND BY THE VERTICAL METAL CAGE WALL THAT STOPS JUST SHORT OF THE PCB



TERMINAL TAIL PATTERN

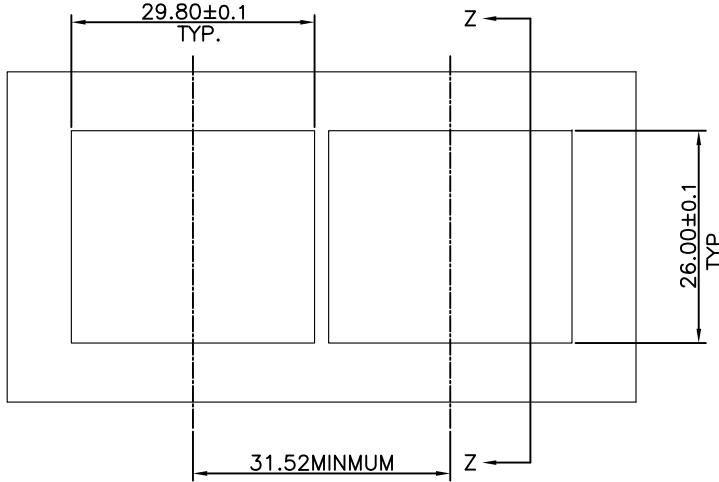
REV.	ECN. NO.	DRAWN	DATE	EC.content
A.0	NEW	Candy	07/19/2024	



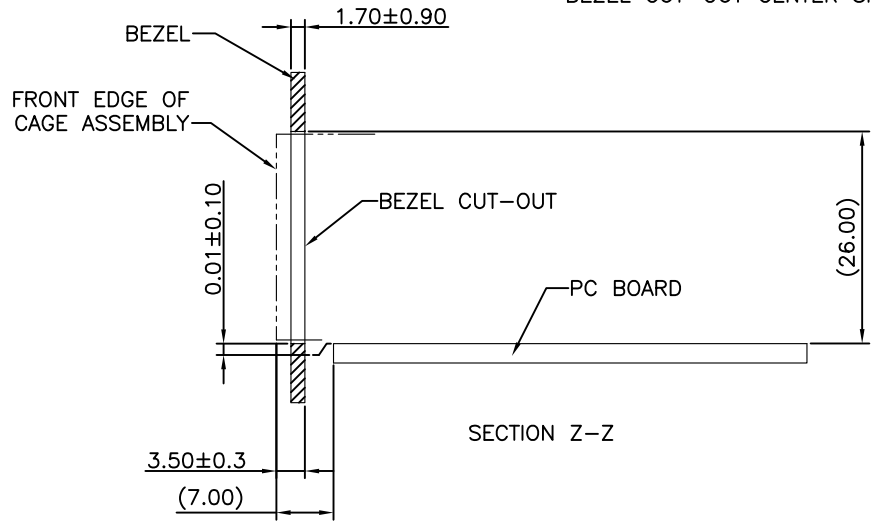
⊗: QUALITY CONTROL ITEM APPROVED CHECKED DRAWN		GENERAL TOLERANCE .X± 0.20 X.'± 2' .XX± 0.15 .X'± 1' .XXX± 0.10	PART NO.: SFPW22-2141-G038-01 TITLE: SFP+ 2X2 CAGE+CONNECTOR
UNIT: mm		SCALE: 1:1	SHEET: 3/4
		REV.: A.0	

1 2 3 4 5 6 7 8

F  
E  
D  
C  
B  
A



BEZEL CUT-OUT CENTER SPACING DETAIL



SECTION Z-Z

REV.	ECN. NO.	DRAWN	DATE	EC.content
A.0	NEW	Candy	07/19/2024	



⊗: QUALITY CONTROL ITEM	GENERAL TOLERANCE	PART NO.: SFPW22-2141-G038-01
APPROVED	.X± 0.20 X'± 2'	TITLE: SFP+ 2X2 CAGE+CONNECTOR
CHECKED	.XX± 0.15 .X'± 1'	
DRAWN	.XXX± 0.10	
	UNIT: mm	SCALE: 1:1 SHEET: 4/4 REV.: A.0

1 2 3 說明: △: 備註 ◇: 版本變更 ㊟: 尺寸序號 ■: 重點尺寸 ▼: CPK 尺寸 DOCUMENT NO. : ZER0013/A.3

F  
E  
D  
C  
B  
A  
SIZE: A4