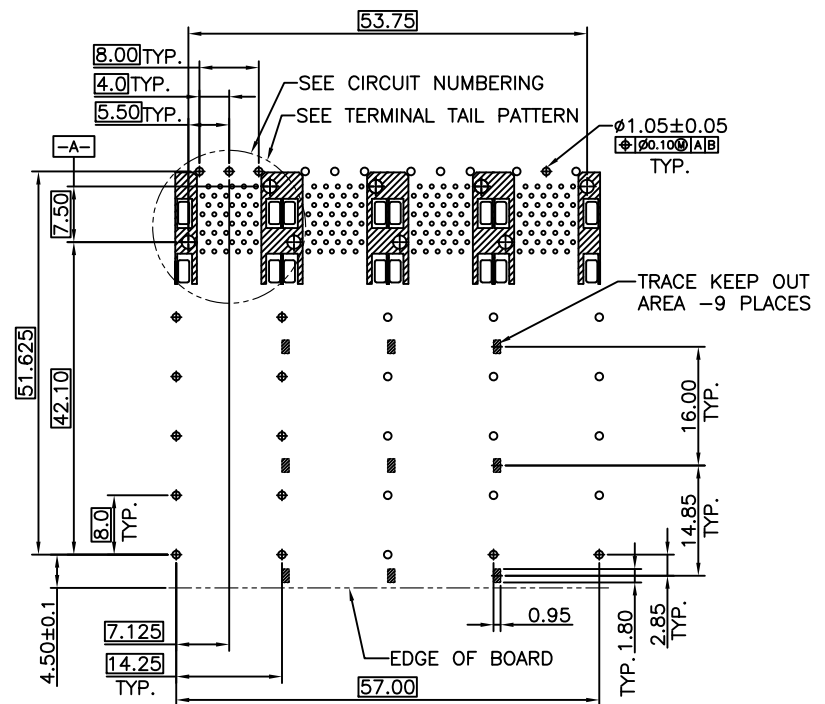


DETAIL A  
CIRCUIT NUMBERING  
AND LIGHTPIPE INDENTIFICATION



RECOMMENDED PCB LAYOUT - COMPONENT SIDE  
RECOMMENDED PCB THICKNESS : 2.36MM(.093 INCH)  
(MINIMUM PCB THICKNESS : 1.57)

THE ENTIRE AREA OF THE CONNECTOR FOOTPRINT  
TO BE CONSIDERED THE KEEP OUT AREA FOR COMPONENTS  
THIS AREA IS INDICATED BY THE DASHED LINE

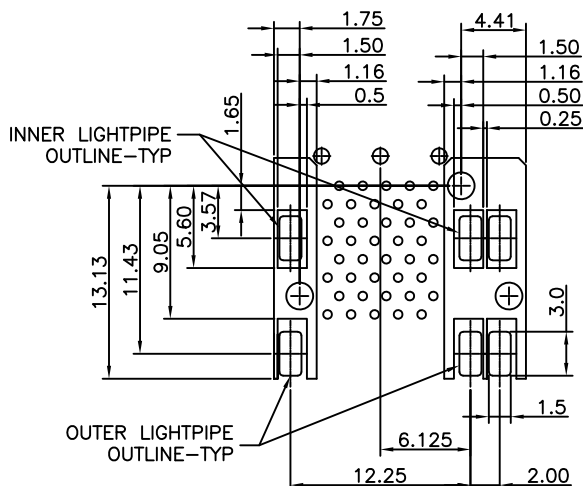
REV.	ECN. NO.	DRAWN	DATE	EC.content
A.0	NEW	Candy	02/10/2025	



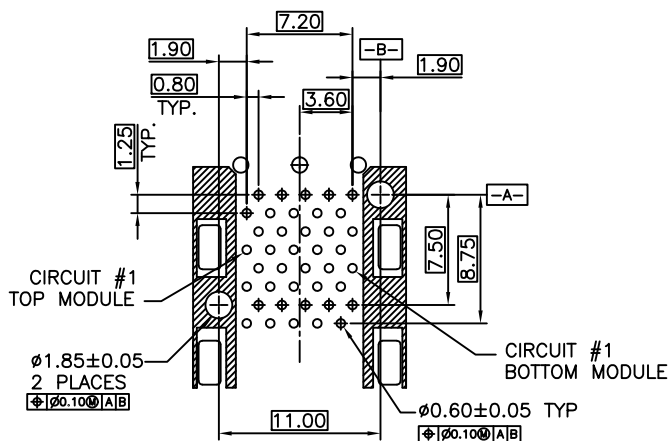
⊗: QUALITY CONTROL ITEM		GENERAL TOLERANCE	PART NO.:
APPROVED		.X± 0.20 X.'± 2'	SFPW24-2240-F048-01
CHECKED		.XX± 0.15 .X'± 1'	TITLE: SFP 2X4 CAGE+CONNECTOR
DRAWN		.XXX± 0.10	
UNIT: mm		SCALE: 1:1	SHEET: 2/4
			REV.: A.0

SIZE: A4

F  
E  
D  
C  
B



DETAIL-KEEPOUT ZONES



TERMINAL TAIL PATTERN

THE HATCHED AREA IN THIS VIEW INDICATES ZONES THAT ARE OCCUPIED BY THE PLASTIC HOUSING THAT SEATS AGAINST THE PCB AND BY THE VERTICAL METAL CAGE WALL THAT STOPS JUST SHORT OF THE PCB

REV.	ECN. NO.	DRAWN	DATE	EC.content
A.0	NEW	Candy	02/10/2025	



⊗: QUALITY CONTROL ITEM	GENERAL TOLERANCE .X± 0.20 X.'± 2' .XX± 0.15 .X'± 1' .XXX± 0.10	PART NO.: SFPW24-2240-F048-01
APPROVED		TITLE: SFP 2X4 CAGE+CONNECTOR
CHECKED		
DRAWN	UNIT: mm	SCALE: 1:1 SHEET: 3/4 REV.: A.0

SIZE: A4

1 2 3 4 5 6 7 8

F

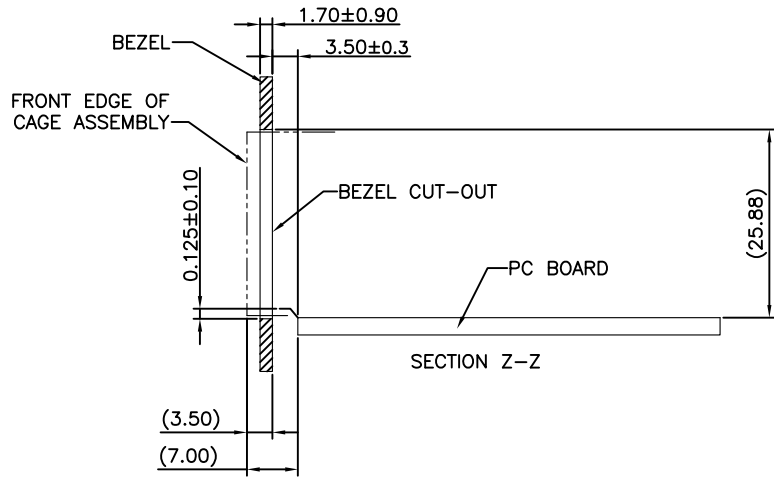
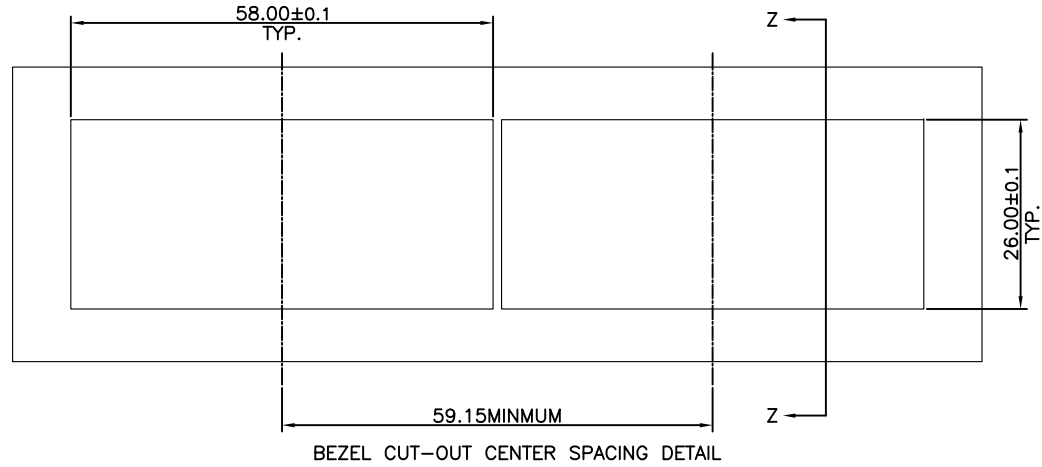
E

D

C

B

A



REV.	ECN. NO.	DRAWN	DATE	EC.content
A.0	NEW	Candy	02/10/2025	



⊗: QUALITY CONTROL ITEM	GENERAL TOLERANCE .X± 0.20 X.'± 2' .XX± 0.15 .X'± 1' .XXX± 0.10	PART NO.: SFPW24-2240-F048-01
APPROVED		TITLE: SFP 2X4 CAGE+CONNECTOR
CHECKED		
DRAWN	UNIT: mm	SCALE: 1:1 SHEET: 4/4 REV.: A.0

1

2

3

說明: △: 備註 ◇: 版本變更 ①: 尺寸序號 ■ 重點尺寸 ▼: CPK 尺寸 DOCUMENT NO. : ZER0013/A.3

SIZE: A4