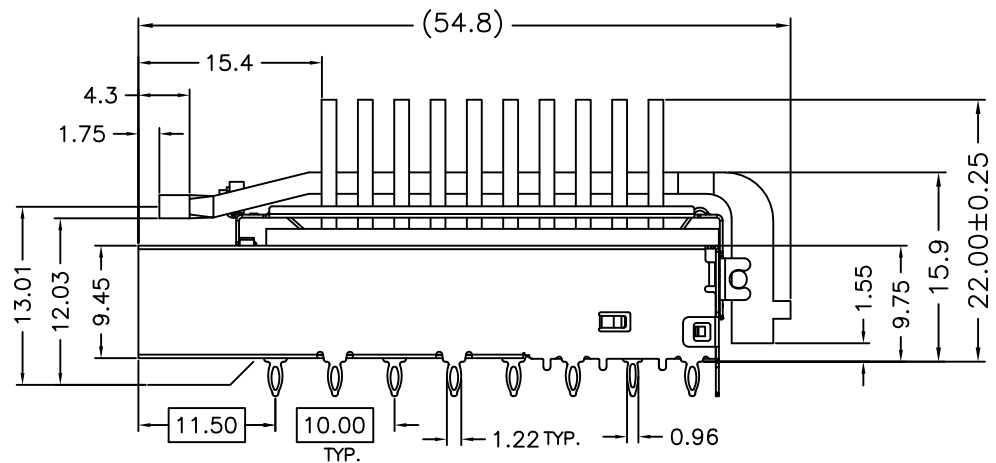
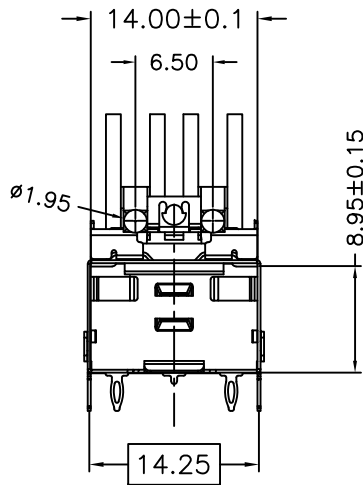
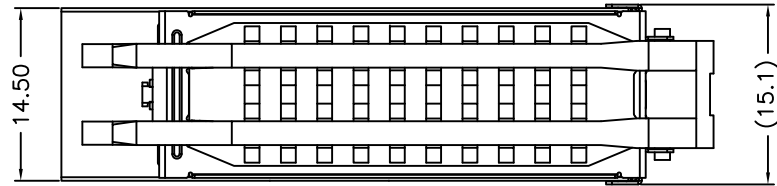


NOTES:

- 1.MATERIAL:
 CAGE: COPPER ALLOY, Ni PLATED
 THICKNESS 0.25mm
 LIGHT PIPE: CLEAR POLYCARBONATE,UL94-V0
 HEAT SINK : ALUMINUM (SILVER ANODIZED)
 CLIP: STAINLESS STEEL
- 2.PACKAGING: TRAY PACKAGING
- 3.TEMPERATURE RANGE: -55°C TO +85°C



- S F W 11 - 4 1 0 1 - 2 8 2 N-04C
- 11-1*1 PORT
 - 4-外殼
 - 1-有散热块 (铝: 6063)
 - 0-无弹片
 - 1-SFP+
 - 2-材质: 洋白铜 (C7701)
 - 2-双导光柱 (PC)
 - N-鍍銀20U"MIN
 - 导光柱无电镀
 - 散热片阳极本色

REV.	ECN. NO.	DRAWN	DATE	EC.content
A.0	NEW	Candy	03/26/2025	



⊗: QUALITY CONTROL ITEM	GENERAL TOLERANCE .X±0.25 X.'±2' .XX±0.15 .X'±1' .XXX±0.10	PART NO.: SFW11-4101-282N-04C
APPROVED		TITLE: SFP+1X1 Cage W/LP,W/HEATSINK
CHECKED		SCALE: 1:1 SHEET: 1/3 REV.: A.0
DRAWN	UNIT: mm	

1

2

3

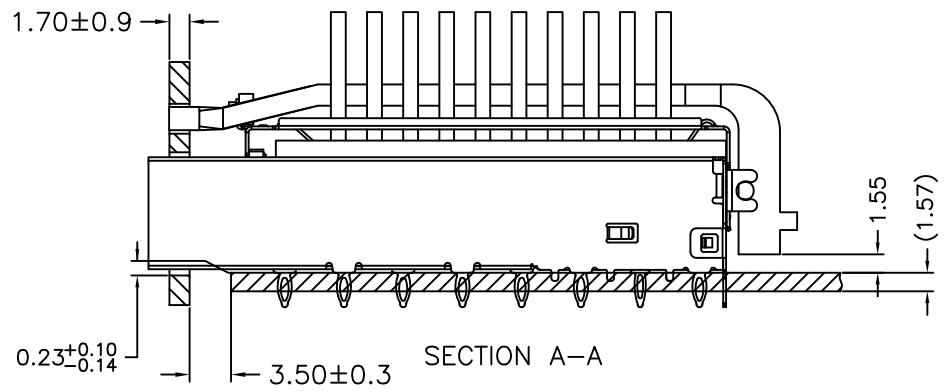
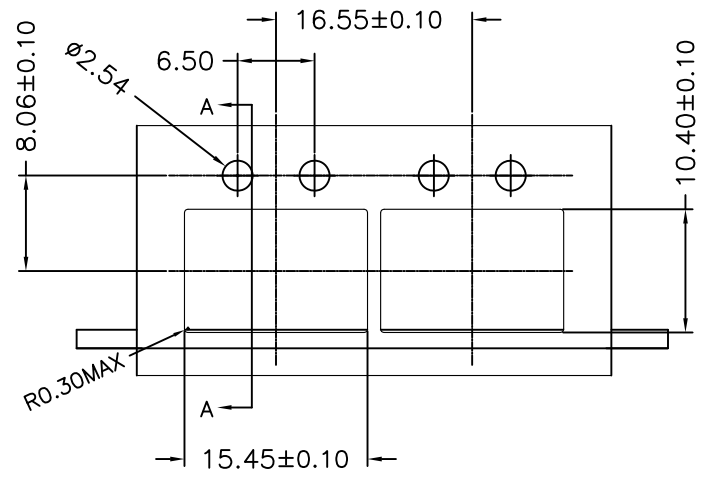
說明: △: 備註 ◇: 版本變更 ①: 尺寸序號 ■: 重點尺寸 ▼: CPK 尺寸 DOCUMENT NO. : ZER0013/A.3

SIZE: A4

1 2 3 4 5 6 7 8

F
E
D
C
B
A

F
E
D
C
B
A



RECOMMENDED BEZEL DESIGN

NOTES:
 ▲ MINIMUM PITCH ILLUSTRATED, ENGLISH DIMENSIONS ARE FOR REFERENCE ONLY

REV.	ECN. NO.	DRAWN	DATE	EC.content
A.0	NEW	Candy	03/26/2025	



⊗: QUALITY CONTROL ITEM APPROVED CHECKED DRAWN		GENERAL TOLERANCE .X± 0.25 X.*± 2' .XX± 0.15 X.*± 1' .XXX± 0.10	PART NO.: SFW11-4101-282N-04C TITLE: SFP+1X1 Cage W/LP,W/HEATSINK
UNIT: mm		SCALE: 1:1	SHEET: 3/3
		REV.: A.0	

SIZE: A4