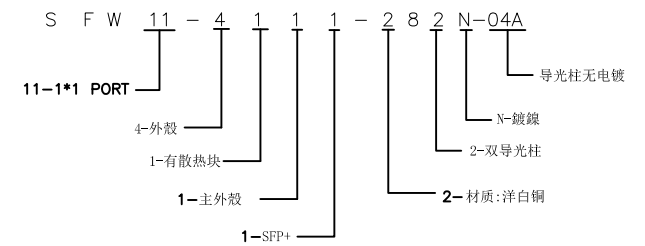
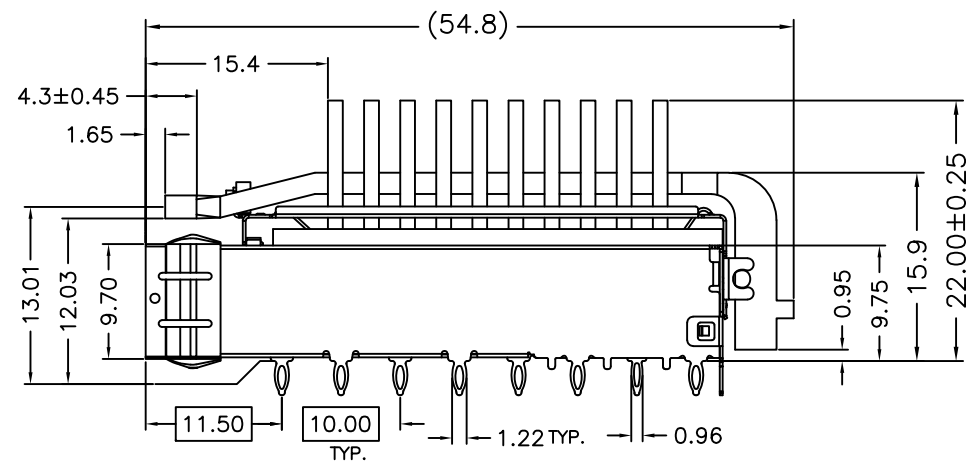
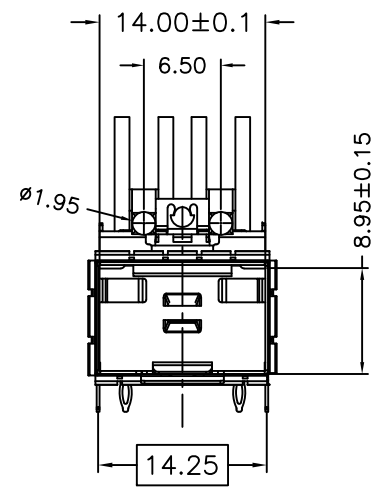
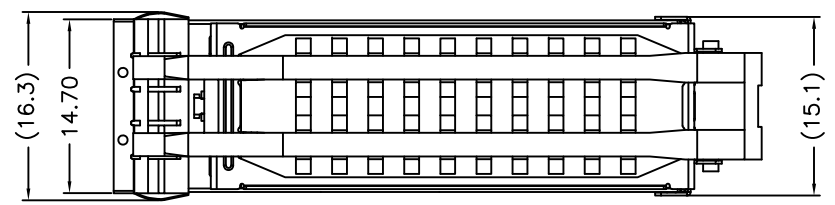


1 2 3 4 5 6 7 8

F
E
D
C
B
A

NOTES:
 1.MATERIAL:
 CAGE: COPPER ALLOY, Ni PLATED
 THICKNESS 0.25mm
 LIGHT PIPE: CLEAR POLYCARBONATE
 HEAT SINK : ALUMINUM(SURFACE TREATMENT:
 BLACK OXIDE)
 CLIP: STAINLESS STEEL
 2.PACKAGING: TRAY PACKAGING
 3.TEMPERATURE RANGE: -55°C TO +85°C



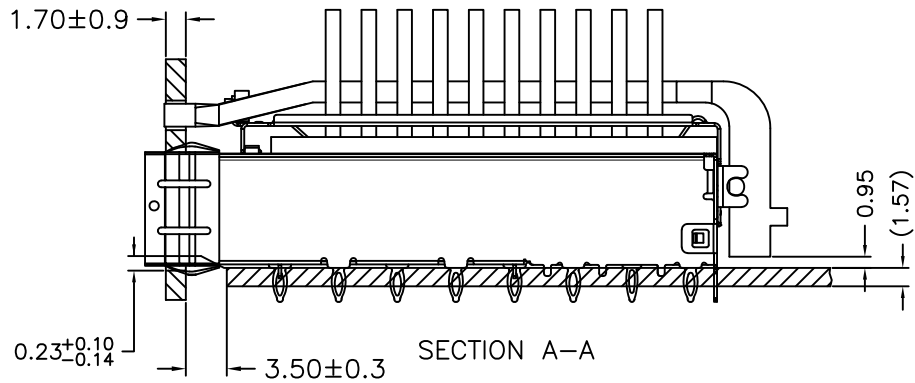
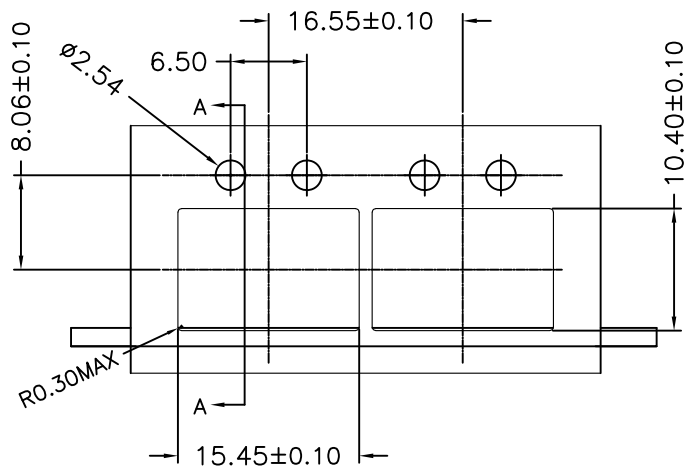
REV.	ECN. NO.	DRAWN	DATE	EC.content
A.0	NEW	Candy	03/11/2025	



⊗: QUALITY CONTROL ITEM APPROVED CHECKED DRAWN		GENERAL TOLERANCE .X± 0.25 X.*± 2' .XX± 0.15 .X.*± 1' .XXX± 0.10	PART NO.: SFW11-4111-282N-04A TITLE: SFP+1X1 Cage W/LP,W/HEATSINK
UNIT: mm		SCALE: 1:1	SHEET: 1/3
		REV.: A.0	

1 2 3 說明: △: 備註 ◇: 版本變更 ①: 尺寸序號 ■ 重點尺寸 ▼: CPK 尺寸 DOCUMENT NO. : ZER0013/A.3

SIZE: A4



RECOMMENDED BEZEL DESIGN

NOTES:
 ▲ MINIMUM PITCH ILLUSTRATED, ENGLISH DIMENSIONS ARE FOR REFERENCE ONLY

REV.	ECN. NO.	DRAWN	DATE	EC.content
A.0	NEW	Candy	03/11/2025	



⊗: QUALITY CONTROL ITEM	GENERAL TOLERANCE .X± 0.25 X.'± 2' .XX± 0.15 .X'± 1' .XXX± 0.10	PART NO.: SFW11-4111-282N-04A
APPROVED		TITLE: SFP+1X1 Cage W/LP,W/HEATSINK
CHECKED		
DRAWN	UNIT: mm	SCALE: 1:1 SHEET: 3/3 REV.: A.0

1 2 3

說明: ▲: 備註 ◇: 版本變更 ①: 尺寸序號 ■: 重點尺寸 ▼: CPK 尺寸 DOCUMENT NO. : ZER0013/A.3

SIZE: A4