

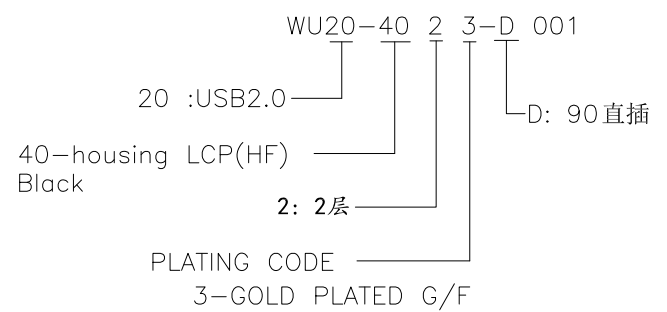
PIN ASSIGNMENTS

PIN NO.	SIGNAL NAME	PIN NO.	SIGNAL NAME
1	VBUS	5	VBUS
2	D-	6	D-
3	D+	7	D+
4	GND	8	GND

NOTES:

- MATERIAL SPECIFICATION
  - INSULATION MATERIAL THERMOPLASTIC.
  - SHELL:SPCC  
PLATING: 30u" MIN NICKEL
  - TERMINAL:COPPER ALLOY  
PLATING: GOLD PLATED ON CONTACT AREA, 80u"MIN. TIN PLATED ON SOLDERING AREA, 30u"MIN. NICKEL PLATED OVERALL.
- ELECTRICAL CHARACTERISTIC:
  - INSULATION RESISTANCE:1000MΩ MIN.
  - CONTACT RESISTANCE:30mΩ MAX.
  - WITHSTANDING VOLTAGE:500V AC.
- MECHANICAL CHARACTERISTICS:
  - INSERTION FORCE:3.57Kgf MAX.
  - EXTRACTION FORCE:1.02Kgf MIN.

PART NUMBER:



REV.	ECN. NO.	DRAWN	DATE	EC.content
A.0	NEW	Candy	07/01/2025	-



⊗:QUALITY CONTROL ITEM
APPROVED
CHECKED
DRAWN

GENERAL TOLERANCE	X:±2°
.X± 0.35	.X'±1'
.XX± 0.25	
.XXX± 0.15	

PART NO.: WU20-4023-D001

TITLE:  
USB AF 2.0双层90度弯脚 (带双弹)

UNIT: mm	SCALE:	SHEET: 1/1	REV.: A.0
----------	--------	------------	-----------