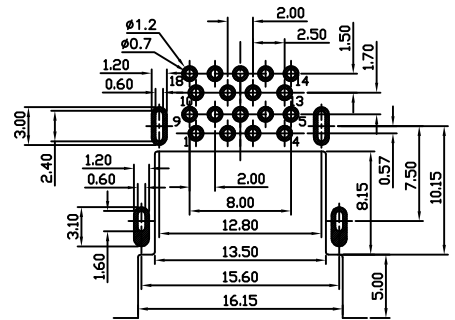
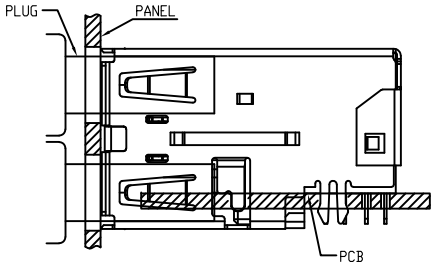
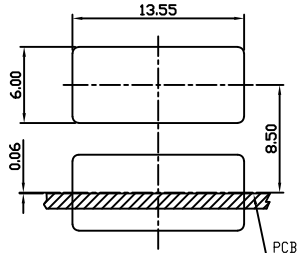
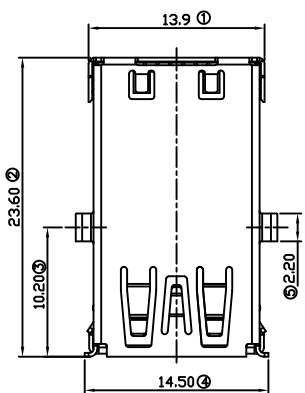
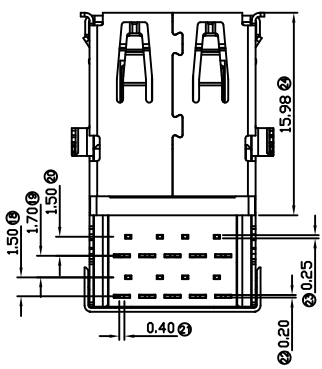
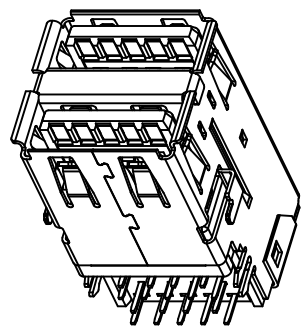
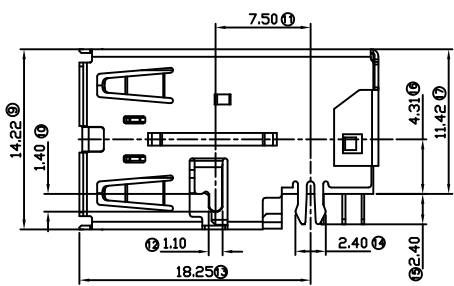
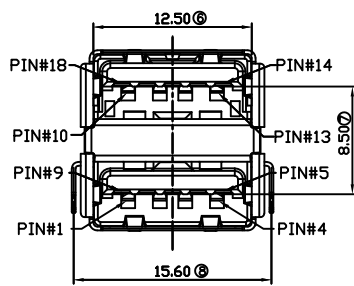


1 2 3 4 5 6 7 8

F
E
D
C
B
A



RECOMMENDED P.C.B LAYOUT TOLERANCE: ±0.05(TOP VIEWS)



- NOTES:
- MATERIAL:
 - 1.1 HOUSING & COVER: HIGH TEMPERATURE THERMOPLASTIC , GLASS FIBER FILLED, UL94V-0, COLOR : BLUE(300C).
 - 1.2 CONTACTS 5PIN: BRASS,
 - 1.3 CONTACTS 4PIN: PHOSPHOR BRONZE,
 - 1.4 SHELL: SUS201.
 - 1.5 ISOLATED: SUS304.
 - FINISH:
 - 2.1 CONTACTS: GOLD (SEE TABLE) PLATED ON CONTACT AREA, 2.54um[100u"] MIN. MATTE-TIN PLATED ON SOLDER TAIL, 1.27um[50u"] MIN. NICKEL UNDERPLATED OVERALL.
 - 2.2 SHELL: 1.27um[50u"] MIN. NICKEL PLATED OVERALL.
 - REFLOW SOLDER CAPABLE TO 260°C

PART NUMBER:
WU30-7B 2 6-D 001

30 :USB3.0
7B-housing PA9T
BLUC(300C)
2: 2层
D: 90度直插

PLATING CODE
6-GOLD PLATED 30U"

REV.	ECN. NO.	DRAWN	DATE	EC.content
A.0	NEW	Candy	06/27/2024	-



⊗:QUALITY CONTROL ITEM	GENERAL TOLERANCE	PART NO.:
APPROVED	.X± 0.35 X.*± .XX± 0.30 X.*±	WU30-7B26-D001
CHECKED	.XXX± 0.20	TITLE: USB 3.0 A TYPE DIP 双层沉板式CH=4.3 长体 DIP2.4 后鱼叉脚外壳镀镍
DRAWN	UNIT: mm	SCALE: SHEET:1/1 REV.: A.0

1 2 3 说明: △: 備註 ◇: 版本變更 ①: 尺寸序號 ■: 重點尺寸 ▼: CPK尺寸 DOCUMENT NO. : ZER0013/A.3

F
E
D
C
B
A

SIZE: A4