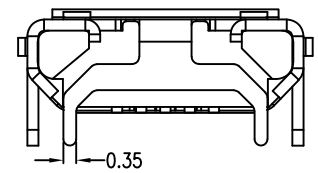
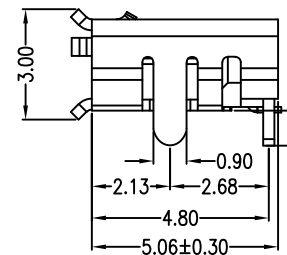
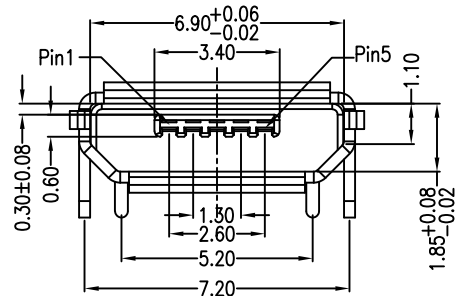
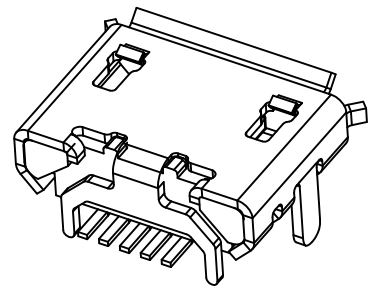
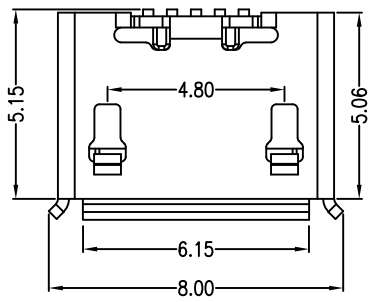


1 2 3 4 5 6 7 8

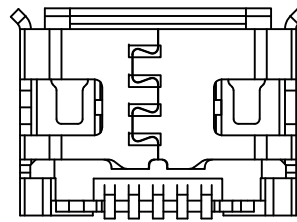
F  
E  
D  
C  
B  
A

F  
E  
D  
C  
B  
A

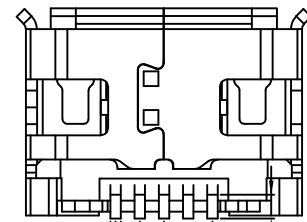


W U - 2 0 0 1

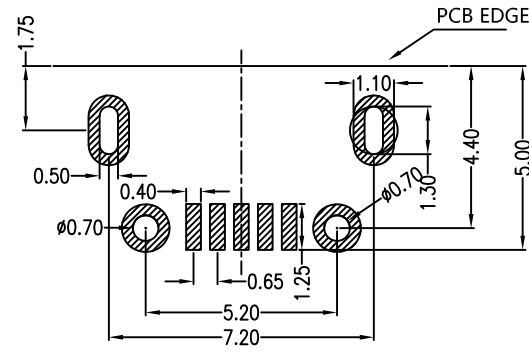
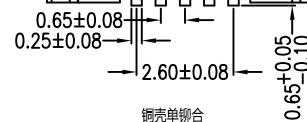
2-端子鍍金3U"  
鍍鍍60U" MIN



不銹鋼雙聯合



銅殼單聯合



PCB圖僅做參考

Note:

1.Material:

- 1.1 Housing: LCP BLACK with g.f,UL94v-0
- 1.2 Contact: copper alloy C5191R-EH,t=0.15mm
- 1.3 Shell: copper alloy C2680,t=0.30mm 霧錫50U"MIN

2.Specification:

- 2.1 Current rating:1,5PIN 1.8A Max/2,3,4PIN 1A Max.
- 2.2 Dielectric withstanding voltage: 100 V(ac) for 1 min.
- 2.3 Contact resistance: 30 mΩ Max.
- 2.4 Insulation resistance: 100 MΩ Min.
- 2.5 Total mating force: 3.57 Kgf Max.
- 2.6 Total unmating force: 1.0 Kgf Min.
- 2.7 Temperature range: -30°C~80°C

REV.	ECN. NO.	DRAWN	DATE	EC.content
A.0	NEW	Candy	09/18/2019	-



⊗: QUALITY CONTROL ITEM	GENERAL TOLERANCE	PART NO.: WU-2001
APPROVED	.X±0.15 X.'±2'	TITLE:
CHECKED	.XX±0.10 X.'±1'	MIRCO USB 5S B TYPE 四脚全插牛角型7.2/5.2版短針
DRAWN	.XXX±0.05	UNIT: mm
		SCALE: 1:1
		SHEET: 1/2
		REV.: A.0

1 2 3 說明: △:備註 ◇:版本變更 ○:尺寸序號 ■:重點尺寸 ▼:CPK尺寸 DOCUMENT NO. : ZER0013/A.3

SIZE: A4