

SECTION:A-A

NOTE:

1.MATERIAL SPECIFICATION:

- 1.HOUSING:LCP,UL94 V-0.
- 2.TERMINAL: COPPER ALLOY(C18150)
- 3.MID PLATE: STAINLESS STEEL(SUS301)
- 4.FRONT SHELL: STAINLESS STEEL(SUS304)

2.PLATING SPECIFICATION:

2-1.TERMINAL:

- Ni 50u" MIN. UNDER PLATED OVER ALL.
- Au 3u" PLATED ON THE FUNCTIONAL AREA OF CONTACT.
- PLATING Au 1u" SPECIFICATIONS OF THE SOLDER AREA

2-2.FRONT SHELL:

- Ni 30u" MIN. UNDER PLATED OVER ALL.

2-3.MID PLATE:

- CLEAR ONLY

3.MECHANICAL PERFORMANCE,

- 3-1.INSERTION FORCE: 0.5~2.0kgf.
- 3-2.REMOVAL FORCE: 0.8kgf~2.0kgf.
- 3-3.DURABILITY: 10000 CYCLES.

4.ELECTRICAL PERFORMANCE,

- 4-1. VOLTAGE RATING: 5V.
- CURRENT RATING: 5A.
- 4-2. LLCR: VBUS & GND PINS AND OTHER PINS: 40mΩ/PIN MAX. LLCR MAX. CHANGE OF ALL PINS: 10mΩ.
- 4-3.INSULATION RESISTANCE: 100MΩ MIN
- 4-4.DIELECTRIC WITHSTAND VOLTAGE,AC 100V FOR 1 MINUTE.

5. ENVIRONMENTAL PERFORMANCE:

- OPERATING TEMPERATURE: -25°C~+85°C.

6.IR REFLOW:

- THE PEAK TEMPERATURE ON THE BOARD SHALL BE MAINTAINED FOR 10 SECONDS AT 260°C.

PART NUMBER:WUTC -16 4 2-001R

R:TAPE REEL包装

2:CONTACT FUNCTIONAL AREA PLATED 3U"

16:16PIN

4:HOUSING LCP (HF)

REV.	ECN. NO.	DRAWN	DATE	EC.content
A.0	NEW	Candy	06/126/2025	-



⊙: QUALITY CONTROL ITEM	GENERAL TOLERANCE	PART NO.: WUTC-1642-001R
APPROVED	.X ± 0.30 X. ° ± 2'	TITLE:
CHECKED	.XX ± 0.20 X. ° ± 1'	USB C F直立式16P 6.4H
DRAWN	.XXX ± 0.10	SCALE: 1:1
	UNIT: mm	SHEET: 1/2
		REV.: A.0

1

2

3

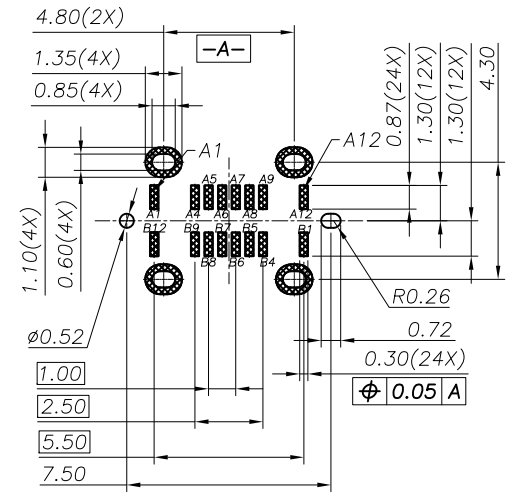
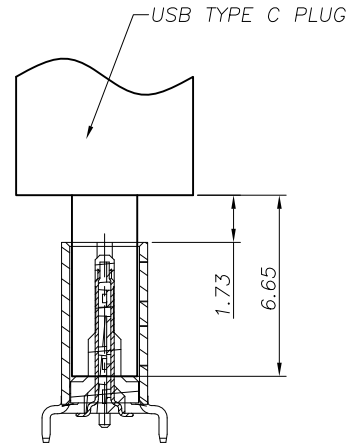
說明: △:備註 ◇:版本變更 (N) 尺寸序號 ■:重點尺寸 ▼:CPK尺寸

DOCUMENT NO. : ZER0013/A.3

SIZE: A4

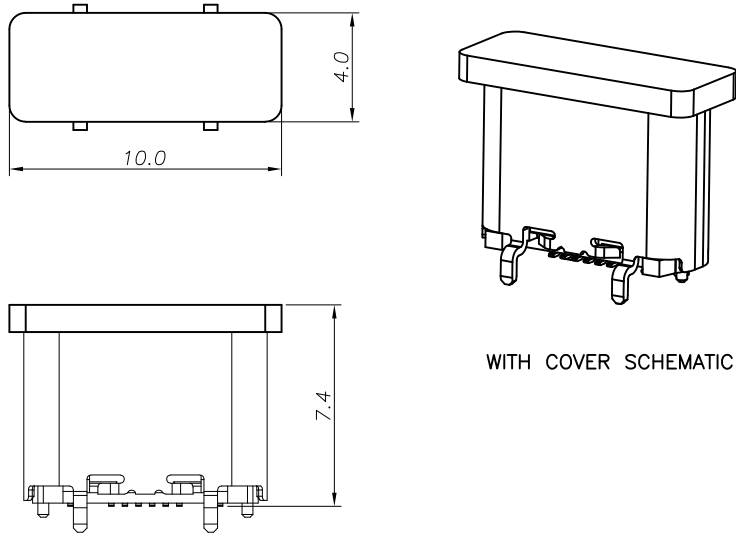
USB TYPE-C PIN ASSIGNMENTS

PIN NUMBER	SIGNAL NAME	PIN NUMBER	SIGNAL NAME
A1	GND	B12	GND
A4	VBUS	B9	VBUS
A5	CC1	B8	SBU2
A6	Dp1	B7	Dn2
A7	Dn1	B6	Dp2
A8	SBU1	B5	CC2
A9	VBUS	B4	VBUS
A12	GND	B1	GND



FEMALE AND MALE MATCHING DRAWING

RECOMMENDED PCB LAYOUT(TOP VIEW)  
THICKNESS 0.8±0.10MM;DEFAULT TOLERANCE:±0.05



REV.	ECN. NO.	DRAWN	DATE	EC.content
A.0	NEW	Candy	06/126/2025	-



①: QUALITY CONTROL ITEM APPROVED CHECKED DRAWN		GENERAL TOLERANCE .X ± 0.30 X. ° ± 2' .XX ± 0.20 X. ° ± 1' .XXX ± 0.10	PART NO.: WUTC-1642-001R TITLE: USB C F 直立式 16P 6.4H
UNIT: mm	SCALE: 1:1	SHEET: 2/2	REV.: A.0