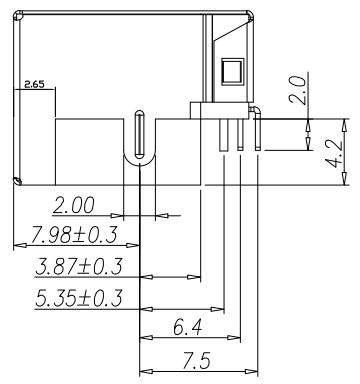
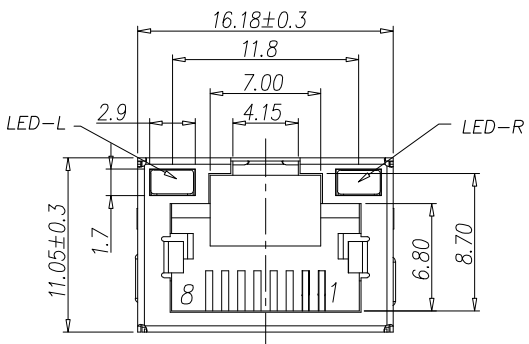


- SPECIFICATIONS:**
1. Voltage: 150V AC RMS
 2. Current Rating: 1.5A
 3. Contact Resistance: 40mΩ MAX.
 4. Insulation Resistance: 500MΩ MIN.
 5. Dielectric Withstang Voltage :1000V AC
 6. Operature Temperature: -40°C~80°C
 7. Durability: 750 Mating Cycles MIN.

Recommend PCB Layout
(Jack Top View)
Tolerance: ±0.05mm



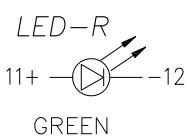
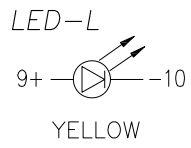
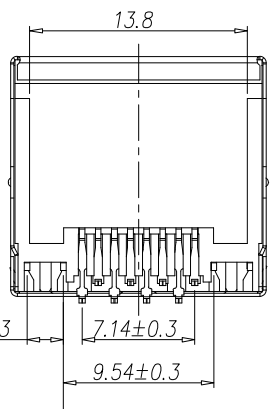
MATERIAL:
HOUSING:LCP BLACK, UL 94V-0
Terminal:Phosphor Bronze T=0.3mm
SHELL:Brass T=0.20mm

PART NUMBER:
JB1W-C G 4 1-3 2 0 0

SHELL CODE _____
G:W/O spring
W/O logo
4-Housing LCP

LED CODE
1-LEFT LED YELLOW
RIGHT LED GREEN

0-膠芯黑色
DIM CODE
LED PIN 2.0MM
Contact PIN 2.0MM
3-GOLD PLATED G/FU"



REV.	ECN. NO.	DRAWN	DATE	EC.content
A.0	New	Qxufang	05/31/2019	



⊗: QUALITY CONTROL ITEM	GENERAL TOLERANCE .X±0.38 X:±2' .XX±0.25 .X:±1' .XXX±0.13	PART NO.: JB1W-CG41-3200
APPROVED		TITLE: RJ45 1*1 PORT 8P8C 沉板式
CHECKED		UNIT: mm
DRAWN		SCALE: 1:1 SHEET: 1/1 REV.: A.0