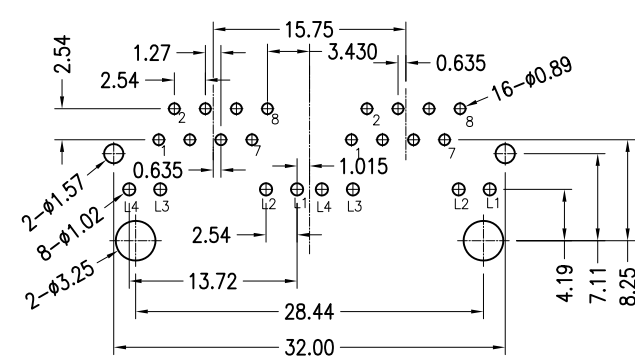
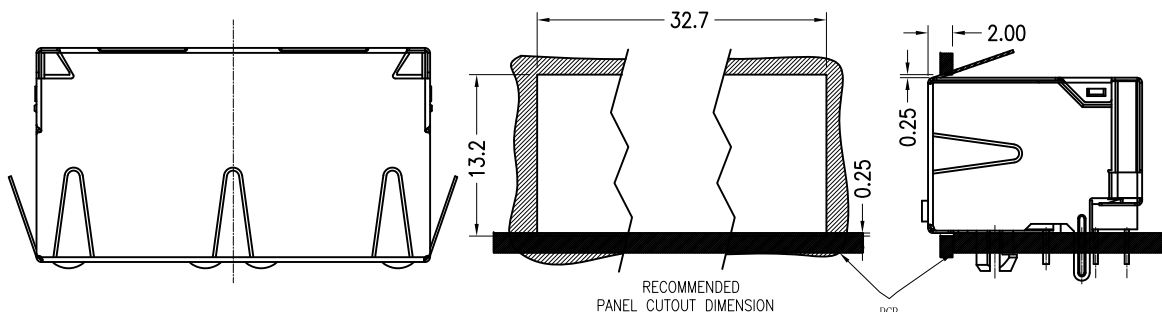
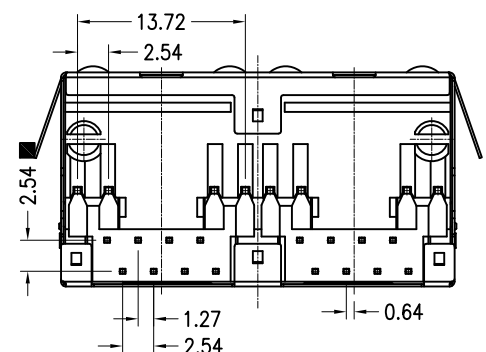
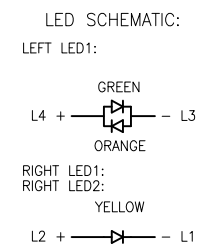
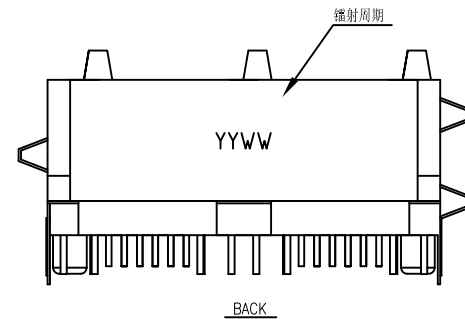
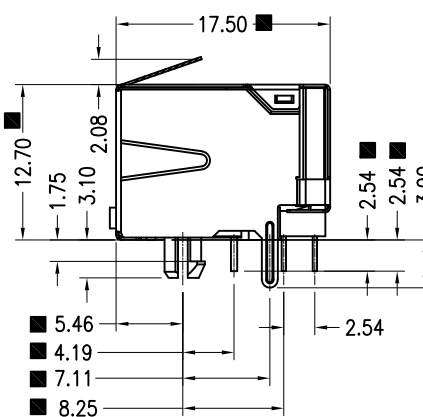
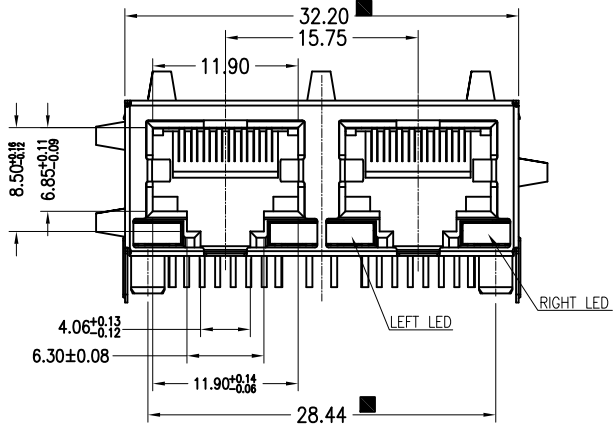


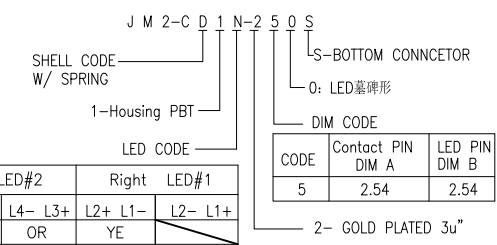
1 2 3 4 5 6 7 8



PCB LAYOUT TOLERANCE: ±0.05  
TOP VIEW



- NOTES:  
1. MATERIALS:  
HOUSING: PBT BLACK(UL94V-0)  
CONTACTS: PHOSPHOR BRONZE T:0.35MM  
SHELL: C2680  
2. FINISH:  
CONTACT: 50u" NICKEL LUNDERPLAT ON ALL AREA,  
100u"MIN. TIN ON SOLDER TAILS,  
GOLD PLATED ON CONTACT AREA.  
SHIELD: PLATED WITH NICKEL  
3. OPERATING TEMPERATURE: -40°C ~ +85°C  
4. JACK CAVITY CONFORMS TO FCC RULES AND REGULATIONS PART 68, SUBPART F



|   | Left LED#2      | Right LED#1     |
|---|-----------------|-----------------|
| N | L4+ L3- L4- L3+ | L2+ L1- L2- L1+ |
|   | GR OR           | YE              |

| REV. | ECN. NO. | DRAWN  | DATE       | EC.content |
|------|----------|--------|------------|------------|
| A.0  | NEW      | Victor | 11/21/2025 |            |
|      |          |        |            |            |



| ⊗: QUALITY CONTROL ITEM | GENERAL TOLERANCE                                  | PART NO.: JM2-CD1N-250S                         |            |            |
|-------------------------|--|---|------------|------------|
| APPROVED                | .X± 0.38 X:± 2'<br>.XX± 0.25 .X:± 1'<br>.XXX± 0.13 | TITLE:RJ45 CONNECTOR JM 1*2 BOTTOM W/LED, 8P8C, |            |            |
| CHECKED                 |  | UNIT: mm  | SCALE: 1:1 | SHEET: 1/1 |
| DRAWN                   |  |   |            | REV.: A.0  |