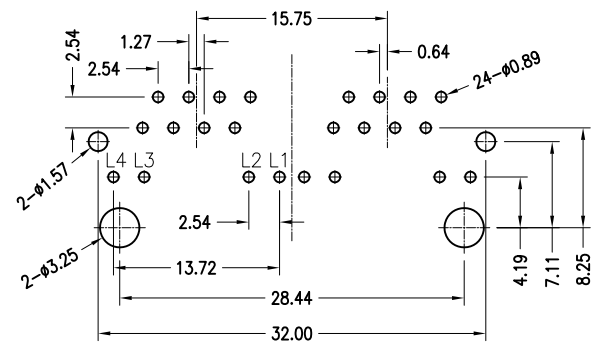
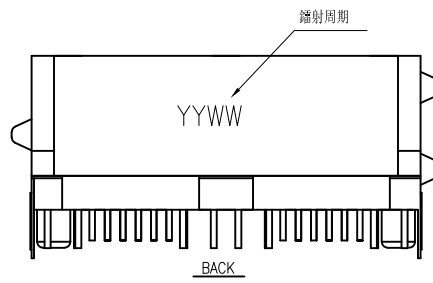
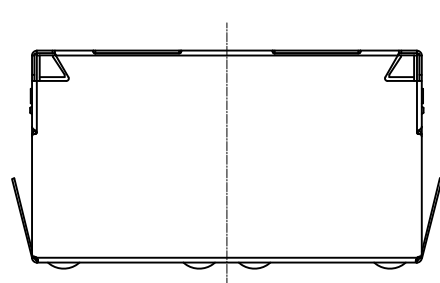


1 2 3 4 5 6 7 8



PCB LAYOUT TOLERANCE: ±0.05

TOP VIEW

LED SCHEMATIC:

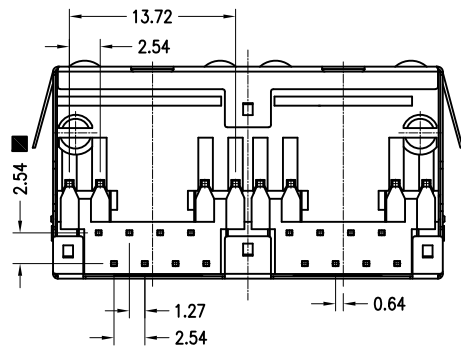
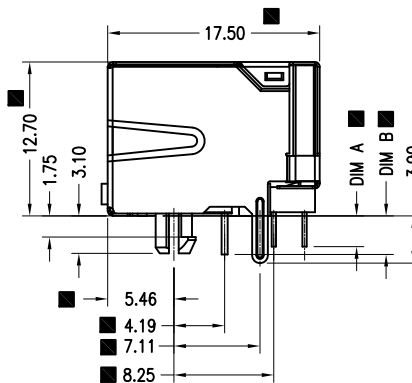
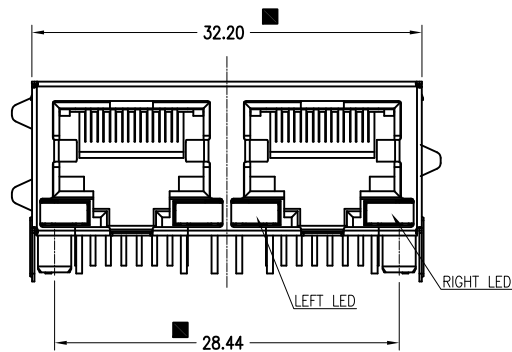
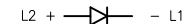
LEFT LED1:

GREEN



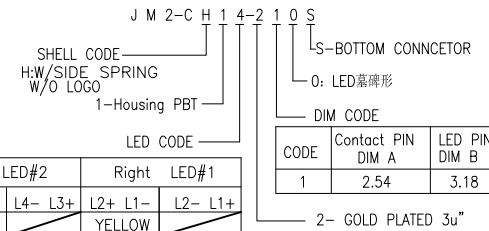
RIGHT LED1:

YELLOW



NOTES:

- MATERIALS:
HOUSING: PBT BLACK(UL94V-0)
CONTACTS: PHOSPHOR BRONZE T:0.35MM
- FINISH:
CONTACT: 50u" NICKE LUNDERPLAT ON ALL AREA,
100u"MIN. TIN ON SOLDERTAILS,
GOLD PLATED ON CONTACT AREA.
SHIELD: COPPER ALLOY T:0.20MM PLATED WITH NICKEL
- OPERATING TEMPERATURE: -40°C ~ +85°C
- JACK CAVITY CONFORMS TO FCC RULES AND REGULATIONS PART 68, SUBPART F



REV.	ECN. NO.	DRAWN	DATE	EC.content
A.0	NEW	Victor	07/25/2025	



⊗: QUALITY CONTROL ITEM	GENERAL TOLERANCE .X± 0.38 X.± 2' .XX± 0.25 .X'± 1' .XXX± 0.13	PART NO.: JM2-CH14-210S
APPROVED		TITLE: RJ45 CONNECTOR JM 1*2 PORT W/LED, 8P8C,
CHECKED		
DRAWN	UNIT: mm	SCALE: 1:1 SHEET: 1/1 REV.: A.0

1 2 3

説明: △: 備註 ◇: 版本變更 ⊙: 尺寸序號 ■: 重點尺寸 ▼: CPK尺寸

DOCUMENT NO.: ZERO013/A.3

SIZE: A4