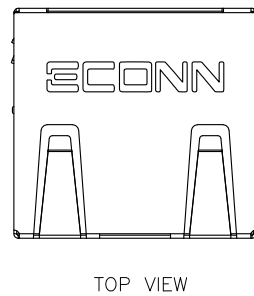
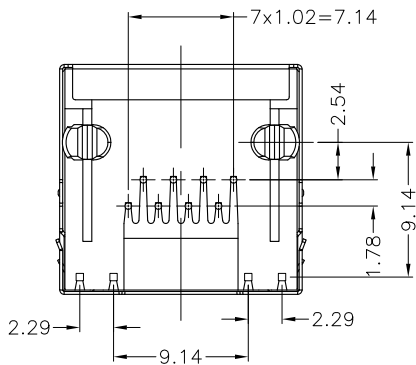


RECOMMENDED PCB LAYOUT
COMPONENT SIDE
TOLERANCE ±0.05



LEFT LED: Green
RIGHT LED: Green
L4 + - L3 L2 + - L1

P/N RULE:
JT1A-2 1 1 1-G G A M

SHELL CODE
W/ TOP SPRING
W/ LOGO

Housing: PBT Black

LED CODE
LEFT LED: Green
RIGHT LED: Green

PIN 3.20mm

G/F For All (圓PIN)

NOTES:
1. MATERIAL:
HOUSING: HIGH TEMPERATURE THERMO PLASTIC (UL94V-0)
CONTACT: PHOSPHOR BRONZE
SHELL: SUS201-1/2H T=0.20mm
2. FINISHED:
CONTACT: 50u"MIN. NICKEL UNDERPLATING ALL AREA,
SELECT GOLD PLATING ON CONTACT AREA.
SHELL: 30u"MIN. NICKEL PRE-PLATING ALL AREA
3. JACK CAVITY CONFORMS TO FCC RULES AND
REGULATIONS PART 68.500 (D) (2)

REV.	ECN. NO.	DRAWN	DATE	EC.content
C.3	EN2304011	Candy	04/19/2023	业务要求, 取消“-E”客户代码



⊗: QUALITY CONTROL ITEM	GENERAL TOLERANCE .X±0.38 X:±2' .XX±0.25 .X:±1' .XXX±0.13	PART NO.: JT1A-2111-GGAM
APPROVED		TITLE: RJ45 1x1 JACK W/ LED & SHELL T/H
CHECKED		
DRAWN	UNIT: mm	SCALE: 1:1 SHEET: 1/1 REV.: C.3