

1 2 3 4 5 6 7 8

F

E

D

C

B

A

F

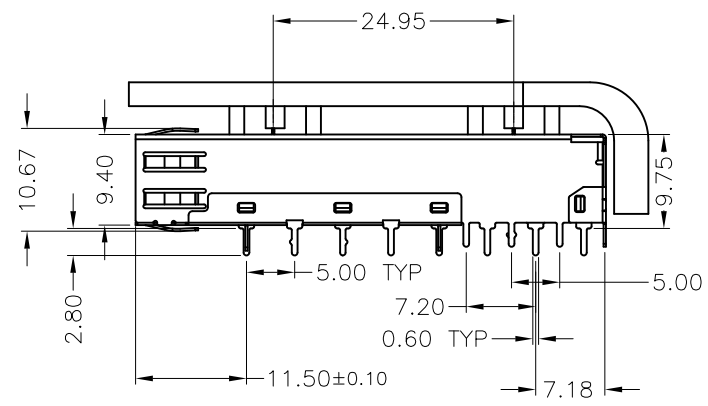
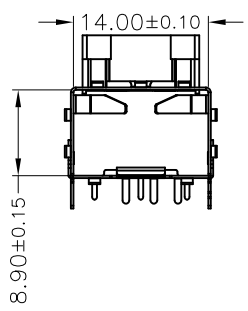
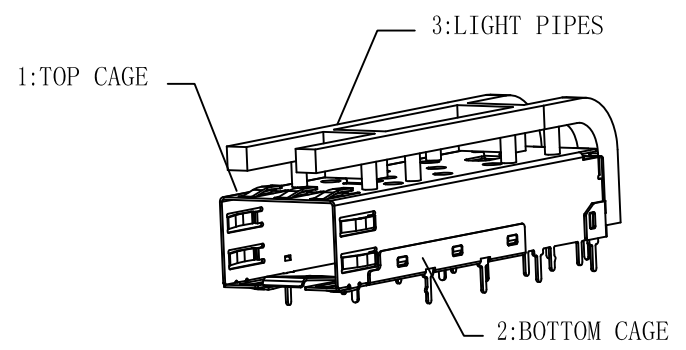
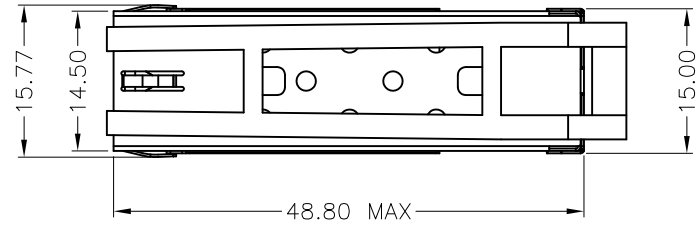
E

D

C

DIE ON: XXXXXX

SIZE: A4



NOTES:

- 1. MATERIAL:
 - TOP CAGE: COPPER ALLOY, THICKNESS 0.25mm
 - BOTTOM CAGE: SUS304, THICKNESS 0.25mm
 - LIGHT PIPES: PC 2805 白底透明全新料
- 2. TEMPERATURE:
 - OPERATION: -40° C ~ +85° C
 - STORAGE: -55° C ~ +105° C

REV.	ECN. NO.	DRAWN	DATE	EC.content
A	NEW	ALLEN	06/18/2020	-



ITEM	PARTS NAME	Q'TY	MATERIAL	FINISH/REMARK
1	TOP CAGE	1	COPPER ALLOY	NI 50U" MIN
2	BOTTOM CAGE	1	SUS	
3	LIGHT PIPES	1	POLYCARBONATE	TRANSPARENT

⊗: QUALITY CONTROL ITEM		GENERAL TOLERANCE		PART NO.: SF11-4010-XX4N		
APPROVED		.X± 0.13	X.'± 2'	TITLE: SFP 1X1 CAGE		
CHECKED		.XX± 0.08	.X'± 1'	/		
DRAWN		.XXX± 0.05		UNIT: mm	SCALE: 1:1	SHEET: 1/2
				REV.: A.0		

1 2 3 4 5 6 7 8

F

E

D

C

B

A

F

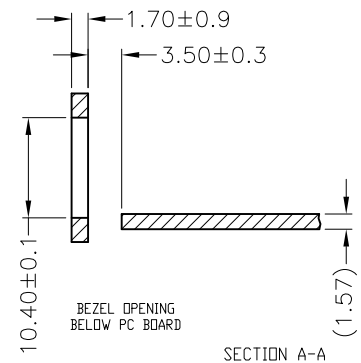
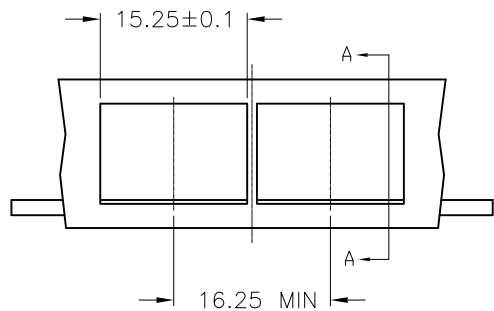
E

D

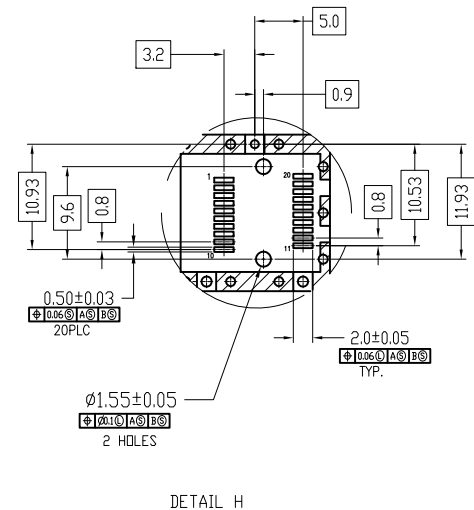
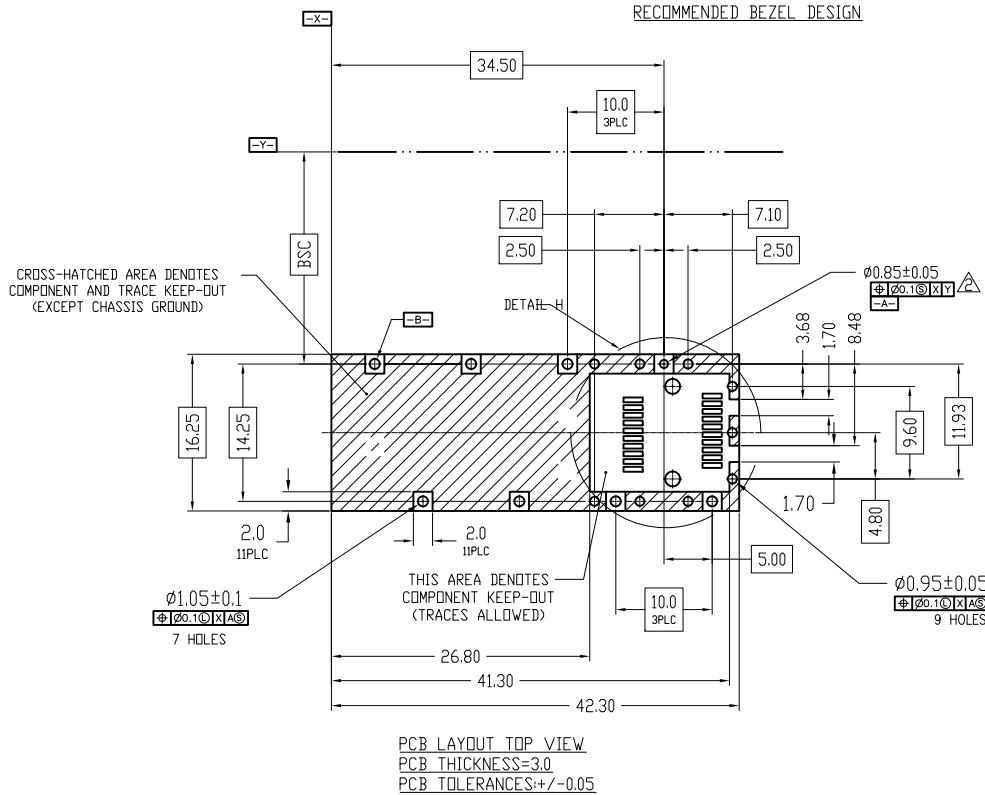
C

DIE ON: XXXXXX

SIZE: A4



RECOMMENDED BEZEL DESIGN



REV.	ECN. NO.	DRAWN	DATE	EC.content
A	NEW	ALLEN	06/18/2020	-



⊗: QUALITY CONTROL ITEM	GENERAL TOLERANCE .X± 0.13 X.'± 2' .XX± 0.08 .X'± 1' .XXX± 0.05	PART NO.: SF11-4010-XX4N		
APPROVED		TITLE: SFP 1X1 CAGE		
CHECKED		/		
DRAWN	UNIT: mm	SCALE: 1:1	SHEET: 2/2	REV.: A.0

説明: △ :備註 ◇ :版本變更 ① :尺寸序號 ■ :重點尺寸 ▼ :CPK尺寸 DOCUMENT NO. : ZER0013/A.3

1 2 3